

GENERAL

FLUID : Air or neutral gas, filtered, lubricated or not
 PORTS : M 5 - G 1/8 - G 1/4
 ORIFICE Ø : 2,5 - 4 - 6 mm
 PRESSURE : 0 to 8 bar (1,5 to 8 bar with differential return)
 PILOT PRESSURE : 1,5 to 8 bar
 TEMPERATURE : +5 °C, +50 °C
 FLOW (Qv at 6 bar) : see table below
 FUNCTIONS : 3/2 - 5/2 - 5/3
 MOUNTING : **individual or on joinable subbases**



1 = Pressure 12 = Return
 2,4 = Outlets 14 = Pilot
 3,5 = Exhausts

CONSTRUCTION

Body in polyamide or light alloy, cover in acetal resin (POM)
 Internal parts in stainless steel, light alloy and acetal resin (POM)
 Sealings in nitrile (NBR)

SPECIFICATIONS

Functions	Symbols	Operators		Pipe size	Orifice size (mm)	Flow		catalogue number
		Pilot (14)	Return (12)			at 6 bar (l/min) ANR	coef. KV	
3/2	NF	Air	Differential	G 1/8	4	400	5,7	52000376
5/2		Air	Spring	G 1/8	4	400	5,7	52000330
		Air	Differential	M5	2,5	175	2,5	51900077
	G 1/8			4	600	8,5	52000077	
		G 1/4	6	1050	15	52100077		
Air		Air	M5	2,5	175	2,5	51900078	
	G 1/8		4	600	8,5	52000078		
5/3		Pressure held W 1		G 1/8	4	600	8,5	52000079
		Air operated		G 1/4	6	1050	15	52100079
		Pressure applied W 2		G 1/8	4	600	8,5	52000142
		Air operated		G 1/4	6	1050	15	52100142
		Pressure release W 3		G 1/8	4	600	8,5	52000082
		Air operated		G 1/4	6	1050	15	52100082

ACCESSORIES

• Flange for ports 2 - 4 with instant fittings for flexible tube (for spool valves series 519 -520, see page P550-4 - E section)

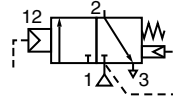
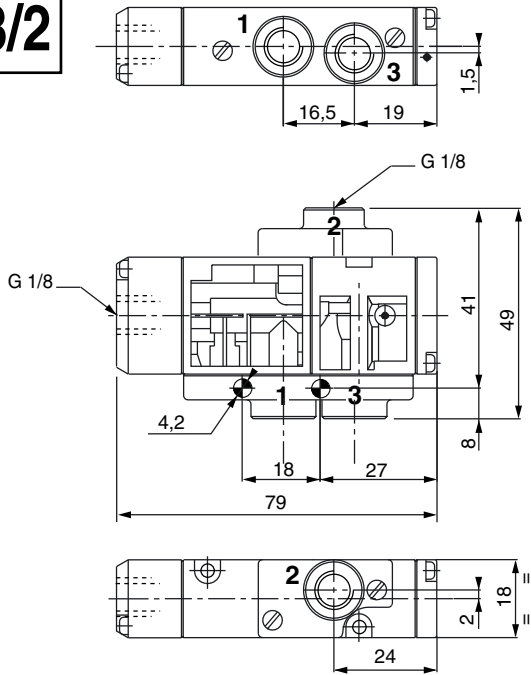
SUBBASES : possible mounting on joinable subbases (see pages P550-6, P550-7 - E section)

00387GB-2007/R01
 Availability, design and specifications are subject to change without notice. All rights reserved.

D

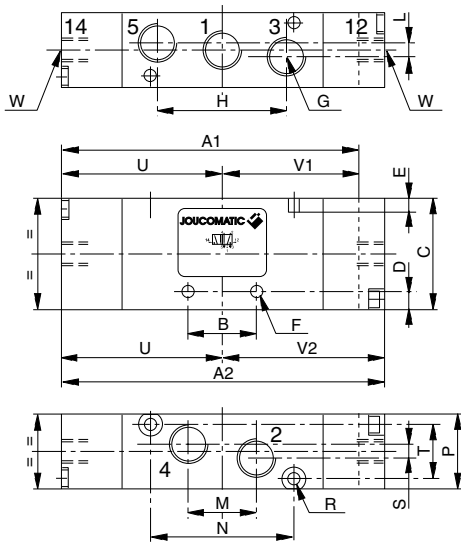
DIMENSIONS AND WEIGHTS

3/2

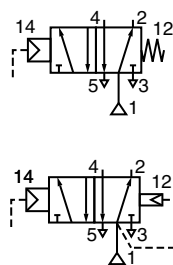


520 = 45 g

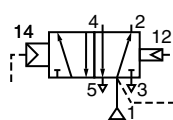
5/2



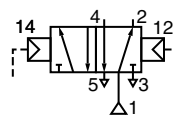
Series	B	C	D	E	ØF	ØG	H	L	M	N	P	ØR	S	T	U	ØW	
5/2	519	11	26	4	4	3,3	M5	21,6	-	11	19	15	2,7	6	11	30,5	M5
	520	15	27	6	3	3,3	G1/8	32,4	3	16,2	35	18	3,2	-	13	42,5	G1/8
	521	22	31	6,5	4	4,3	G1/4	44	4	22	50	22	4,2	4	16	50	G1/8



Series	A1	V1
5/2	519	-
	520	85,3
	521	-



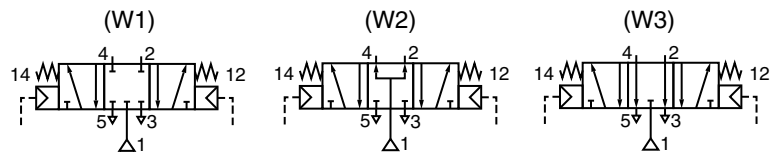
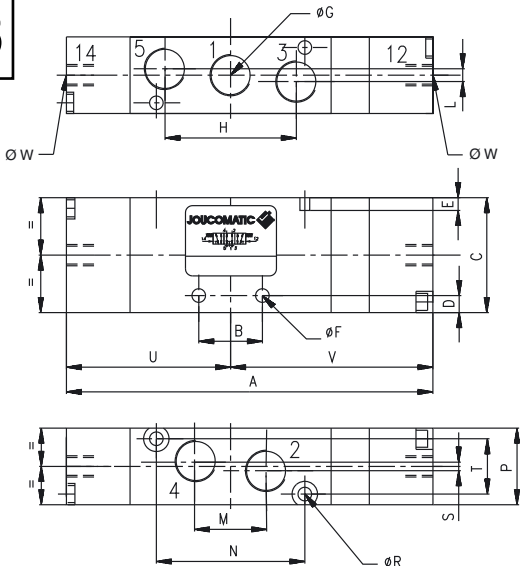
Series	A1	V1
5/2	519	55,5
	520	76
	521	91,5



Series	A2	V2
5/2	519	61
	520	85
	521	100

519 = 50 g
520 = 65 g
521 = 110 g

5/3



Series	A	B	C	D	E	ØF	ØG	H	L	M	N	P	ØR	S	T	U	V	ØW	
5/3	520	94	15	27	6	3	3,3	G1/8	32,4	3	16,2	35	18	3,2	-	13	42,5	51,5	G1/8
	521	109	22	31	6,5	4	4,3	G1/4	44	4	22	50	22	4,2	4	16	50	59	G1/8

520 = 75 g
521 = 120 g