

FEATURES

- Special materials and handling procedures are used in the high vacuum valves to avoid molecular contamination
- The medium and high vacuum valves are mass spectrometer tested
- Valves do not require a minimum operating pressure and are suitable for low, medium and high vacuum
- Valves operation is not affected by mounting position
- The solenoid valves satisfy all relevant EC Directives

GENERAL

Differential pressure 1 bar absolute [1 bar = 100 kPa]
Response time 5 - 25 ms

fluids (*)	temperature range (TS)	seal materials (*)
air, inert gas	- 20°C to + 90°C	NBR (nitrile) FPM (fluoroelastomer)



MATERIALS IN CONTACT WITH FLUID

(*) Ensure that the compatibility of the fluids in contact with the materials is verified

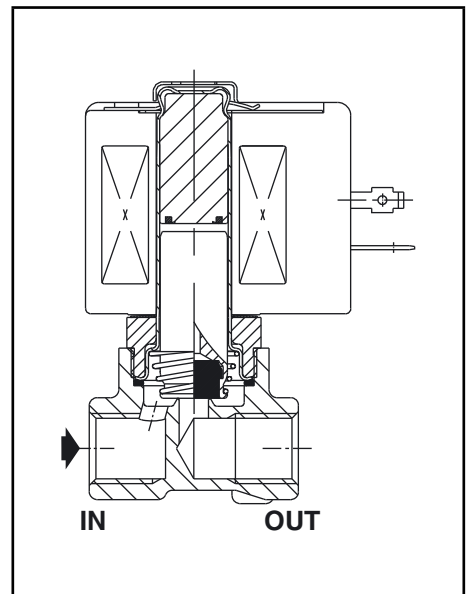
Body	Brass
Core tube	Stainless steel
Core and plugnut	Stainless steel
Springs	Stainless steel
Seat	Brass
Seals	NBR or FPM
Disc	NBR or FPM
Shading coil	Copper

ELECTRICAL CHARACTERISTICS

Coil insulation class F
Connector Spade plug (cable Ø 6-10 mm)
Connector specification ISO 4400 / EN 175301-803, form A
Electrical safety IEC 335
Electrical enclosure protection Moulded IP65 (EN 60529)
Standard voltages DC (=) : -
(Other voltages and 60 Hz on request) AC (~) : 24V - 48V - 115V - 230V / 50 Hz

prefix option	power ratings				operator ambient temperature range (TS) (C°)	replacement coil		type ⁽¹⁾
	inrush ~	holding ~	hot/cold =			~	=	
	(VA)	(VA)	(W)	(W)		230 V/50 Hz	-	
SC	34	15,6	6	-	-20 to + 75	400325-117	-	01

⁽¹⁾ Refer to the dimensional drawings on the following page.



SPECIFICATIONS

pipe size	orifice size	flow coefficient Kv		minimum absolute vacuum pressure (PS)		power coil (W)	catalogue number	options	
		(m³/h)	(l/min)	air (*)				maintained man. operator	
G	(mm)	(m³/h)	(l/min)	mbar (Torr)		~	~		
NC - Normally closed, low vacuum range to 25 Torr, NBR seals									
1/4	7,1	0,82	13,7	33,3 (25)		6	-	SCG262C090	MO - -
NC - Normally closed, medium vacuum range to 10⁻³ Torr, NBR seals									
1/4	7,1	0,82	13,7	1,33.10 ⁻³ (10 ⁻³)		6	-	SCG262C090VM	MO - -
NC - Normally closed, high vacuum range to 10⁻⁶ Torr, FPM seals									
1/4	7,1	0,82	13,7	1,33.10 ⁻⁶ (10 ⁻⁶)		6	-	SCG262C090VH	MO - -

OPTIONS

- Waterproof enclosure with embedded screw terminal coil according to protection class IP67, CEE-10
- Explosionproof enclosures for use in zones 1/21-2/22, categories 2-3 to ATEX Directive 94/9/EC (see "Explosionproof solenoids" section)
- Electrical enclosures according to "NEMA" standards are available
- Compliance with "UL", "CSA" and other local approvals available on request
- Mounting brackets, suffix MB
- Other pipe connections are available on request
- Plug with visual indication and peak voltage suppression or with cable length of 2 m (see Solenoids, Coils & Accessories section)

INSTALLATION

- The solenoid valves can be mounted in any position without affecting operation
- Solenoid valves have 2 mounting holes in body
- Pipe connection identifier is G = G (ISO 228/1)
- Installation/maintenance instructions are included with each valve

SPARE PARTS KITS & ACCESSORIES

catalogue number	spare parts kit no.		mounting bracket no.
	~	=	
SCG262C090	C302022	-	254573-001

⁽¹⁾ Standard prefixes/suffixes are also applicable to kits.

ORDERING EXAMPLES:

SC	G	262	C	090	230V / 50 Hz
SC	G	262	C	090	MO 115V / 50 Hz
SC	G	262	C	090	VM 24V / 50 Hz
SC	G	262	C	090	VH 230V / 50 Hz

prefix — pipe thread — basic number — voltage — suffix

ORDERING EXAMPLES KITS:

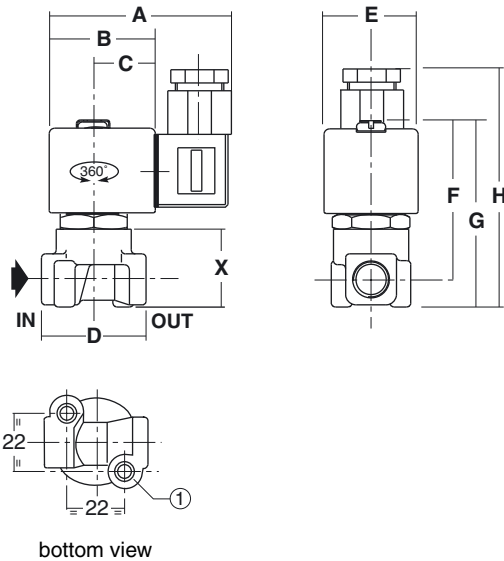
C302022 ⁽¹⁾	
C302022	VM
C302022	VH

basic number — suffix

DIMENSIONS (mm), WEIGHT (kg)



TYPE 01
Prefix "SC" Solenoid
Epoxy moulded
IEC 335 / ISO 4400
IP65



① 2 mounting holes Ø M4, depth 6 mm

type	prefix option	A	B	C	D	E	F	G	H	X	weight ⁽²⁾
01	SC	75	45	27	40	39	65	75	92	30	0,35

⁽²⁾ including coil and connector.