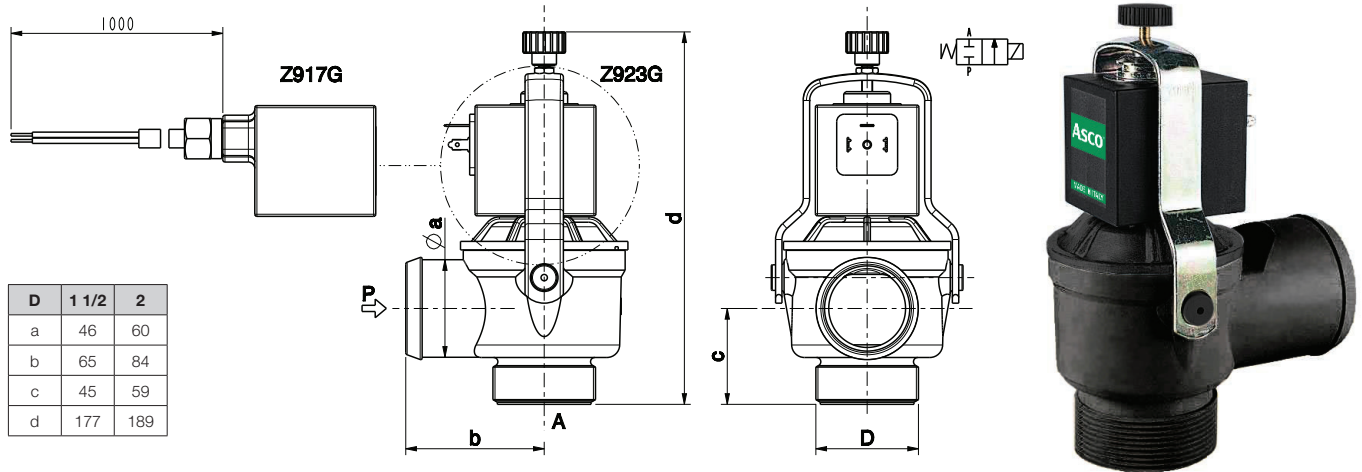


# ASCO™ SOLENOID VALVE - DRY

2/2 NORMALLY CLOSED - DIRECT ACTING - TOTAL ISOLATION - G 1 ½ - 2

**SERIES**  
**D137**



## General Features

Direct acting, total isolation solenoid valve: the actuator is totally isolated from the fluid so that the wetted parts are just the body and the bellow plug.

Possibility of disassembling for inspection.

Particularly suitable for fast drain of tanks.

Suitable to shut off liquid and gaseous fluids (verify the compatibility of fluid with materials in contact).

Technical Features	
Maximum allowable pressure (PS)	0,3 bar
Opening time	~400ms
Closing time	~400ms
Fluid temperature	-10°C +90°C (NBR) 0°C +130°C (FPM) 0°C +130°C (EPDM)
Max viscosity	5°E (~37 cStokes or mm²/s)

Materials in Contact with Fluid	
Body	PPS (Polyphenilsulfure).
Sealing	NBR or FPM or EPDM

Coil		Z923G	Z917G
Discontinuous duty		ED 60% with max cycle time 40min	
Encapsulation material		PPS (Polyphenilsulfure) fiberglass reinforced	PBT fiberglass reinforced
Insulation class		H (165°C)	F (140°C)
Ambient temperature		-10°C +80°C	-10°C +60°C
Electric connection		DIN 46340 – 3 poles connectors (EN175301-803)	Cable with 3 wires x 1mm² molded in XLPO Length 1000 mm
Protection degree		IP 65 (EN 60529) with plug connector	IP 67 (EN 60529)
Voltages	AC	24V/50Hz - 110V/50Hz (120V/60Hz) - 230V/50Hz (+10% -15%) (Other voltages and frequencies on request)	

Port size ISO 228	Orifice size (mm)	Differential pressure (bar)						Kv (m³/h)	Series and type		Power absorption			Sealings	Notes	Weight (kg)
		Δp min	Δp max				Valve		Coil	AC (VA)		DC (W)				
			AC	DC	AC	DC				Inrush	Holding					
G 1 ½	36	0	0,15	-	0,15	-	20	D137B08	Z923G Z917G	150	46	-	NBR	-	0,980	
G 2	43						34								1,040	
G 1 ½	36						20								0,980	
G 2	43						34								1,040	
G 1 ½	36						20								0,980	
G 2	43						34								1,040	

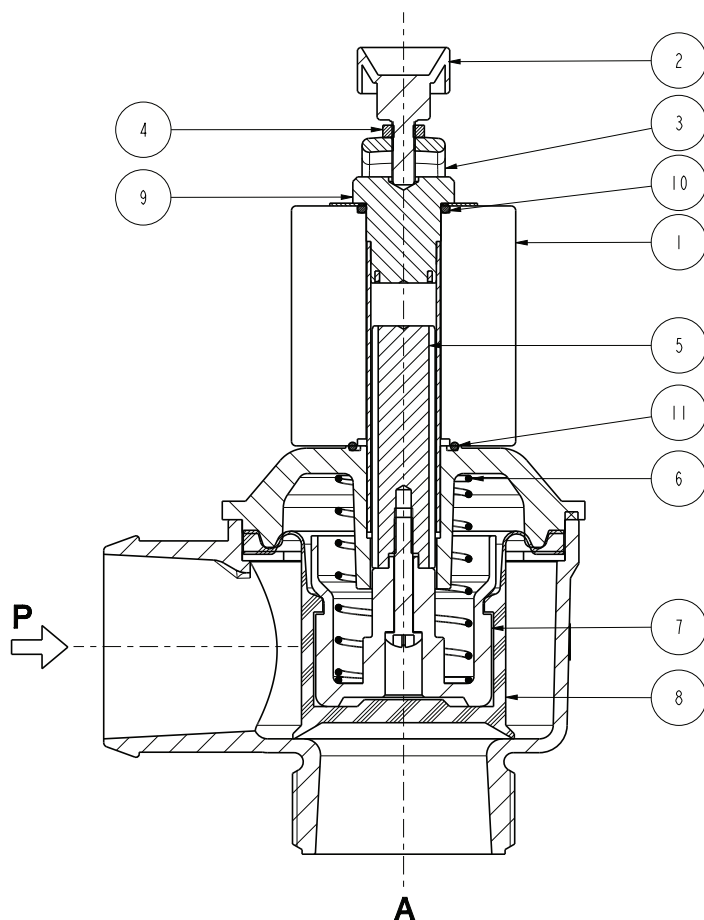
## Notes

- Sealings : NBR = Nitryle-butylene elastomer FPM = Fluoro-carbon elastomer EPDM = Ethylene-propylene elastomer
- The Δp max, indicated in the table, has to be understood with zero pressure downstream the valve.

**SERIES**  
**D137**

**ASCO™ SOLENOID VALVE - DRY**  
2/2 NORMALLY CLOSED - DIRECT ACTING - TOTAL ISOLATION - G 1 ½ - 2

**Spare Parts**



Kit description	Model	Kit P.N.	Consisting of:
Clamp kit		G3143701	Clamp pos. 3 Screw pos. 2 Nut pos. 4
Plunger return spring kit		G2237301	N° 10 Plunger return springs pos.6
OR kit for coil		G3147101	Upper OR pos. 10 Lower OR pos. 11
Core kit		2254301R	Core pos. 5 Bellow plug stiffener pos. 7
Bellow plug	D137B08	2252101R	Bellow plug pos. 8
	D137V08	2252103R	
	D137D08	2252104R	
Guide assembly		294079-001R	Guide assembly pos. 9
Coil		Z923G	Coil pos. 1
		Z917G	

**Installation**

- Solenoid valve must be mounted vertical, with coil upwards.
- In case of disassembling for usual maintenance or for coil replacing, the screw (pos.2) has to be tightened at 1,5 Nm torque.

THE VALIDITY OF REPORTED DATA IS REFERRED TO THE DATE OF ISSUE. POSSIBLE UPDATES ARE AVAILABLE ON REQUEST