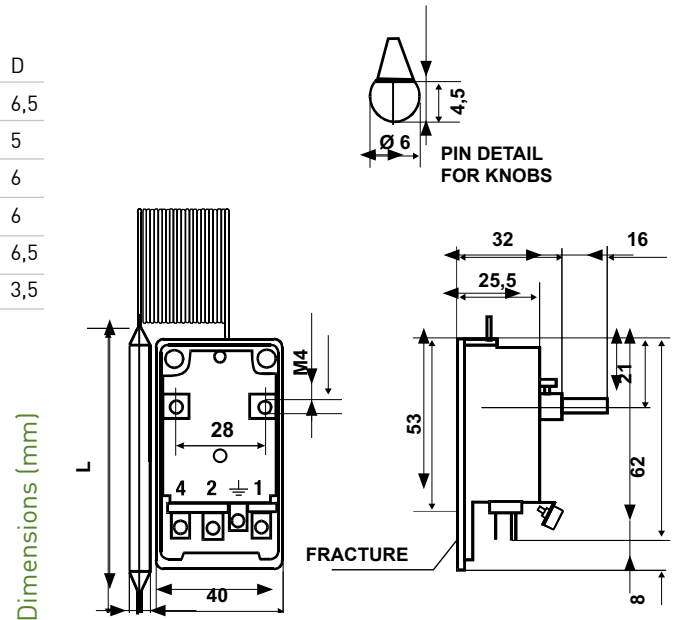


Rear panel thermostats for remote mounting

Thermostats with capillary for rear panel mounting to adjust the water temperature in the boilers, in the air-conditioning and cooling systems, in household appliances, in electrical furnaces.



Type	L	D
C02A3	69	6,5
C02B3	65	5
C02C2	144	6
C02D2	144	6
C02E3	69	6,5
C02F	195	3,5



	Temperature range °C	Differential* K	Calibration accuracy °C	Admissible body temperature °C	Maximum bulb temperature °C	Capillary length mt	Protection level
C02A3	10 ÷ 90	6 ± 1	± 3	120	150	1	IP00
C02B3	50 ÷ 300	8 ± 2	± 3	120	350	1,5	IP00
C02C2	- 20 ÷ 40	2 ± 0,5	± 2	60	80	1,5	IP00
C02D2	- 35 ÷ 20	2 ± 0,5	± 2	50	80	1,5	IP00
C02E3	40 ÷ 120	6 ± 2	± 3	120	150	1	IP00
C02F	50 ÷ 320	10 ± 2	± 3	120	330	1	IP00

*The differential is subtracted from the range value. The differential values refer to a thermal gradient of 1K/hour in liquid and 5K/hour in air.

ELECTRICAL FEATURES

Two directions microswitch of instant action with AGcdO contacts. Contact parameters in compliance with EN 60730-1: 15(6)A 250V~ 50Hz

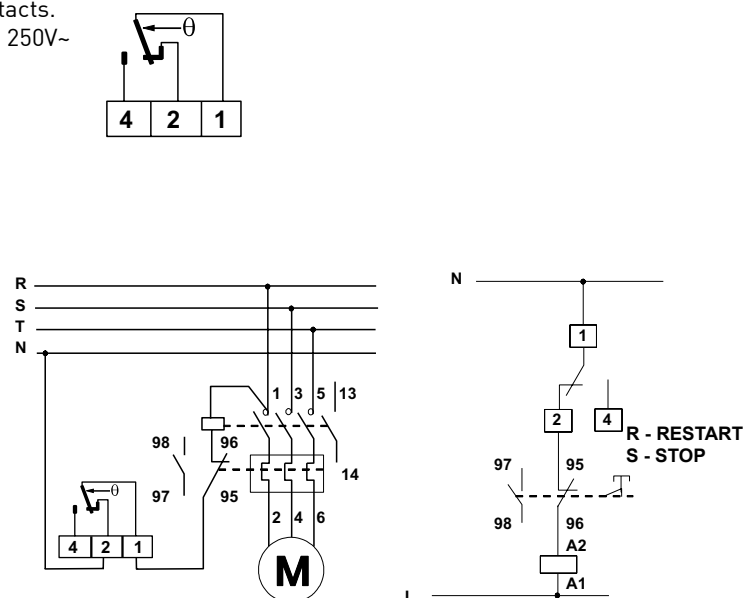
Parameters in compliance with EN 60947-5-1:

Nominal insulation voltage: U_i 380V~

Nominal continuous current: I_{th} 15A

Nominal operating current I_e	220V~	250V~	380V~
Resistive load	AC-12	15A	10A
Inductive load	AC-15	2,5A	1,5A
Direct current	DC-13	0,2A	-

EXAMPLE OF ELECTRICAL CONNECTION FOR THE CIRCULATION PUMP



STANDARDS AND CERTIFICATES

Compliance with standards EN 60947-5-1, EN 60730-1.
ISPEL approval for C02A3.

INSTALLATION

Rear panel mounting for the thermostat's body.

The bulb with capillary can be mounted remotely and is provided with seal caps or copper sheath with GC 1/2 connection

OPERATION

When the temperature increases: 1-2 are opening, 1-4 are closing.

Liquid expansion function.

FEATURES

Sensing element with stainless steel diaphragm.

Copper bulb and capillary.

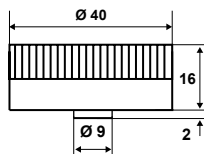
Copper bulb and capillary, tinned for types C02C2 and C02D2.

Screws for rear panel mounting for C02C2 and C02D2.

Base in shock-proof self-extinguishing thermoplastic material V0.

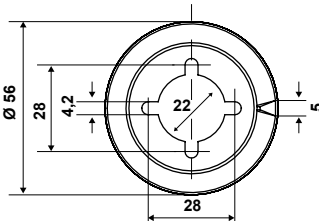
Threaded connection "Faston" 6,3 mm.

ACCESSORIES



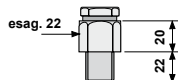
2724259
Control knob for C02A3
2724260
Control knob for C02B3
2723094
Control knob for C02C2

2723095
Control knob for C02D2
2724261
Control knob for C02E3
2723856
Control knob for C02F

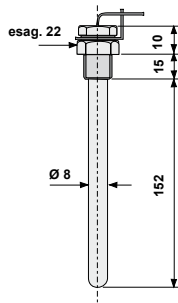


2554972
Metallic ring for thermoplastic control knobs.

2754975
Metallic ring for stainless steel control knobs.



G23
Seal cap Gc 1/2, PN10 bar, without casing.



G28
Copper sheath Gc 1/2 PN10 bar, length 177 mm, including spring to mount the capillary.

5677050
Group of range limiters, used for knobs.

EXECUTION UPON REQUEST WITH SPECIAL TEMPERATURE RANGE

	Temperature range (1)	Scale angle[*]
C02A xx yy	0 ÷ 120	80
C02A xx yy	10 ÷ 300	250
C02A xx yy	- 35 ÷ 60	60
C02A xx yy	- 35 ÷ 60	75
C02A xx yy	10 ÷ 320	270

Note: Special temperature range is chosen in the range of temperature (1) and must always exceed the set value "scale angle"[*].

Example: C02 - 10/50 special execution C02, temperature range -10 ÷ 50°C, scale angle 60°C.