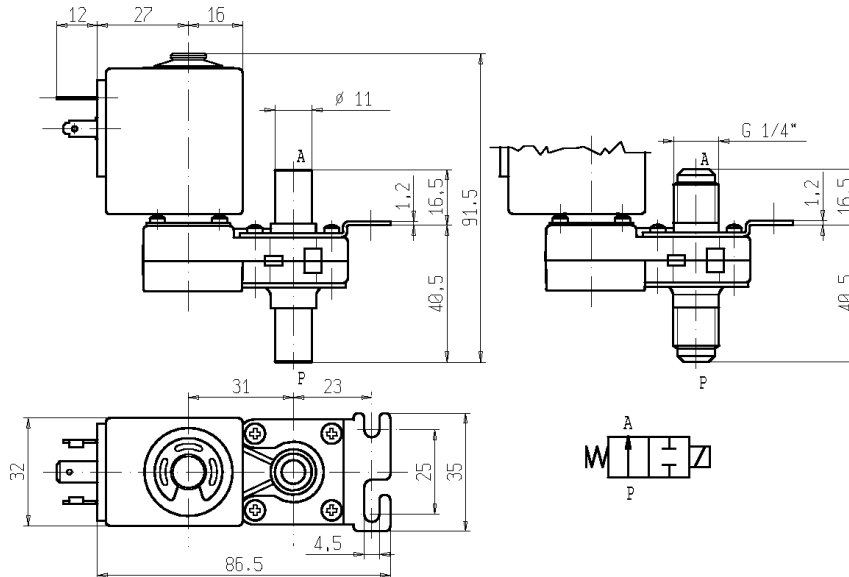




SOLENOID VALVE - DRY
2/2 - NO (Normally open)
 Direct acting - Total isolation
G 1/4 - Barbed port

D244



► **GENERAL FEATURES**

Direct acting, total isolation solenoid valve: the actuator is totally isolated from the fluid so that the wetted parts are just the body and the lever-seal.

Possibility of disassembling for inspection.

Core duly coated by PTFE (polytetrafluoroethylene) based self lubricating material.

Suitable to shut off liquid and gaseous fluids (verify the compatibility of fluid with materials in contact).

► **TECHNICAL FEATURES**

Maximum allowable pressure (PS)	12 bar
Opening time	~ 25ms
Closing time	~ 25ms
Fluid temperature	-10°C +100°C
Max viscosity	5°E (~37 cStokes or mm ² /s)

► **MATERIALS IN CONTACT WITH FLUID**

Body	PEI (Polyetherimide)
Sealing	FPM

► **COIL**

Continuous duty	ED 100%	
Encapsulation material	PET (polyethylene terephthalate) fiberglass reinforced	
Insulation class	F (140°C)	
Ambient temperature	-10°C +60°C	
Electric connections	DIN 46340 - 3 poles connector (DIN 43650)	
Protection degree	IP 65 (EN 60529) with plug connector	
Voltages	DC	12-24V (+10% -5%)
	AC	24V/50Hz - 110V/50Hz (120V/60Hz) - 230V/50Hz (+10% -15%)
		(Other voltages and frequencies on request)

Port size G = ISO 228	Orifice size (mm)	Differential pressure (bar)						Kv (m ³ /h)	Series and type		Power absorption			Sealings	Notes	Weight (kg)
		Δp min	Δp max				Valve		Coil	AC (VA)		DC (W)				
			Gases		Liquids					Inrush	Holding					
			AC	DC	AC	DC										
Barbed port	5,5	0	0,9	0,2	0,9	0,2	0,55	D244V6	Z530A	23	14	9	FPM	1	0,255	
G 1/4								D244V7						1-2		

► **NOTES**

- Sealings: FPM = Fluoro-carbon elastomer.

- On request and depending on quantities:

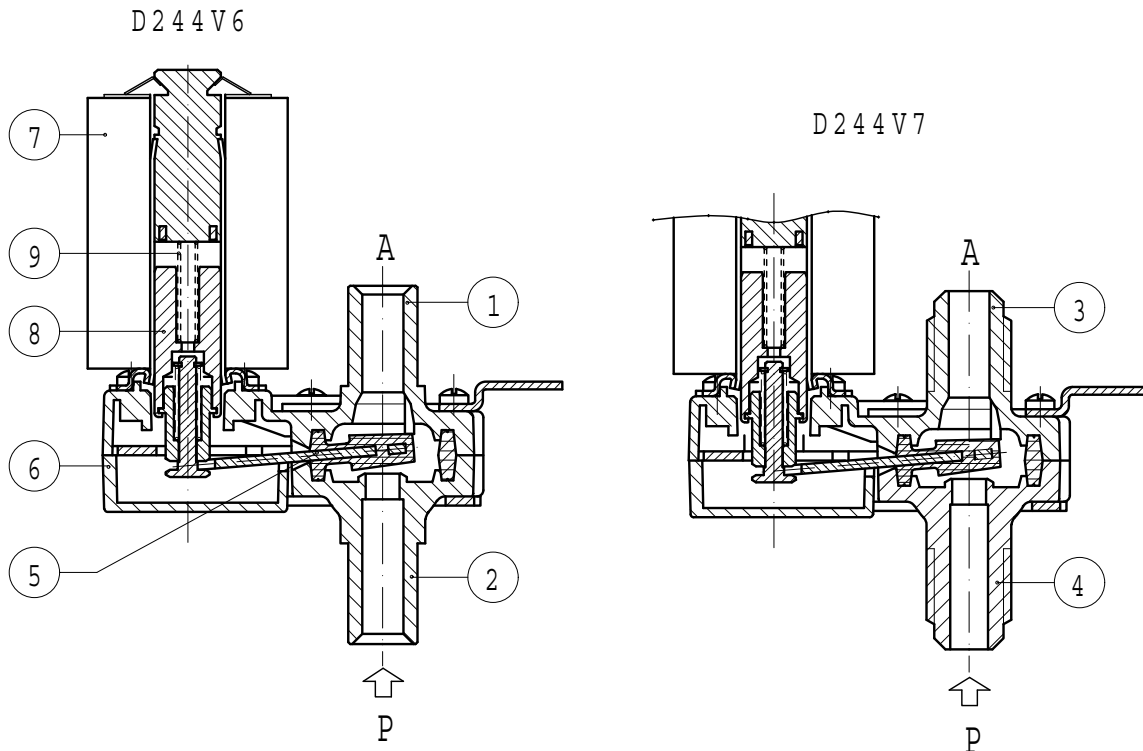
- silent execution (only for DC).

- body in fiberglass reinforced (30%) PPOm (modified polyphenil oxide), recommended for strong basic solutions (pH≥10).

1 - Designed for bidirectional use at 0,9 bar (AC). With inlet at A port, the Δp max is 1,5 bar (AC) (monodirectional).

2 - Model available on request only: ask for minimum quantity.

► SPARE PARTS



Kit description		Kit P.N.	Consisting of:
Body kit	D244V6	G2846601	Upper body pos.1 Lower body pos.2
Body kit	D244V7	G2847101	Upper body pos.3 Lower body pos.4
Core kit		G2999301	Core pos.8 Core return spring pos.9
Lever seal kit		2977702R	Lever seal kit pos. 5
Cover		3119801R	Cover pos. 6
Coil		Z530A	Coil pos. 7

► INSTALLATION

- Solenoid valve can be mounted in any position.
- Maximum driving torque of the pipe fittings for thread connections = 10Nm.
- In case of disassembling, for usual maintenance, the fixing screws have to be tightened at 0,6 Nm max torque.