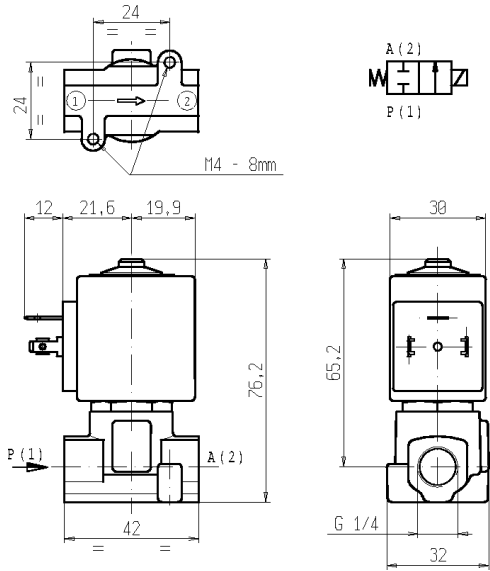




SOLENOID VALVE
2/2 - NC (Normally closed)
Direct acting
G 1/4

L121



► GENERAL FEATURES

Direct acting solenoid valve.
 Suitable to shut off liquid and gaseous fluids (verify the compatibility of fluid with materials in contact).

► TECHNICAL FEATURES

Maximum allowable pressure (PS) 40 bar
 Opening time ~20ms
 Closing time ~20ms
 Fluid temperature -10°C +90°C (NBR)
 0°C +130°C (FPM)
 -10°C +140°C (EPDM)
 Max viscosity 5°E (~37 cStokes or mm²/s)

► MATERIALS IN CONTACT WITH FLUID

<i>Body</i>	Brass
<i>Sealing</i>	NBR or FPM or EPDM
<i>Internal components</i>	Stainless steel
<i>Seat</i>	Brass
<i>Core tube</i>	Stainless steel
<i>Shading coil</i>	Copper

► COIL

<i>According to standards</i>	VDE
<i>Continuous duty</i>	ED 100%
<i>Encapsulation material</i>	PET (polybutylene-terephthalate) fiberglass reinforced
<i>Insulation class</i>	F (155°C) on request class H (180°C) - UL
<i>Ambient temperature</i>	-10°C +50°C
<i>Electric connections</i>	DIN 46340 - 3 poles connectors (EN175301-803)
<i>Protection degree</i>	IP 65 (EN 60529) with plug connector
<i>Voltages DC</i>	12-24V (+10% -5%)
<i>AC</i>	ZA30A: 24V/50Hz - 110V/50Hz (120V/60Hz) - 230V/50Hz (+10% -15%) (Other voltages and frequencies on request).

Port size ISO 228	Orifice size (mm)	Differential pressure (bar)				Kv (m ³ /h)	Series and type		Power absorption			Sealings	Notes	Weight (kg)								
		Δp min	Δp max		Valve		Coil	AC (VA)		DC (W)												
			Gases	Liquids				Inrush	Holding													
G 1/4	1,6	0	30	30	30	0,09	L121V02	ZA30A	23	14	9	FPM	1	0,300								
				30	30		L121B02					NBR	1 - 2									
	2,3		20	16	20	0,15	L121V02					ZA30A	23		14	9	FPM	1				
				16	20		L121D02										EPDM					
	3,2	12	0	4	12	0,30	L121B02	ZA30E	-	-	12	NBR	-									
					4		12					L121V02			FPM							
	-	7		-	7	0,40	L121B02					ZA30A	23		14	9	NBR	2				
							7										12		L121V02	FPM		
	4,5	6	0	2	6	0,40	L121B02	ZA30A	23	14	9	NBR	-									
					2		6					L121V02			FPM							
					-		3					-	3		0,40	L121B02	ZA30E	-	-	12	NBR	2
																3					6	

► NOTES

- Sealings : NBR = Nitrile-butylene elastomer FPM = Fluoro-carbon elastomer EPDM = Ethylene-propylene elastomer
 1 - On request special coil ZA32A, class "F", with UL or VDE approved windings - see overleaf.
 2 - Model available on request only: ask for minimum quantity.

L121

► SPECIAL COIL ZA32A

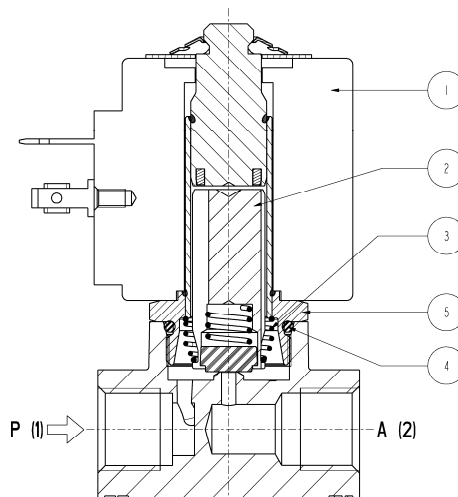
<i>Continuous duty</i>	ED 100%	<i>Ambient temperature</i>	DIN 46340 - 3 poles connectors (EN175301-803)
<i>Encapsulation material</i>	PET (polyethylene terephthalate) fiberglass reinforced	<i>Electric connections</i>	IP 65 (EN 60529) with plug connector
<i>Coil insulation class</i>	F (155°C)	<i>Voltages</i>	AC 24V/50-60Hz (VDE) • 100V/50-60Hz • 115-120V/60Hz (UL) • 200V/50-60Hz • 220-230V/50Hz • 208-240V/60Hz (UL) • 220-240V/50Hz (VDE) • (+10% -15%)
<i>Ambient temperature</i>	-10°C +50°C		

Port size ISO 228	Orifice size (mm)	Differential pressure (bar)				Kv (m ³ /h)	Series and type		Power absorption			Sealings	Notes	Weight (kg)	
		Δp min	Δp max				Valve	DC (W)	Inrush	Holding					
			Gases		Liquids										
			AC	DC	AC						DC				
G 1/4	1,6	0	30		30	0,09	L121V02	23	14	-	FPM	-	0,300		
	2,3		-	16	-	16	0,15				L121B02	ZA32A		NBR	1
											L121V02			FPM	
											L121D02			EPDM	
											L121B02			NBR	
											L121V02			FPM	
	3,2	9		9	0,30	L121V02	FPM								

► NOTES

- Sealings : NBR = Nitrile-butylene elastomer FPM = Fluoro-carbon elastomer EPDM = Ethylene-propylene elastomer
 1 - Model available on request only: ask for minimum quantity.

► SPARE PARTS



Kit description

Core kit

L121B02
L121V02
L121D02

Kit P.N.

G3022804
G3022803
G3022801

Consisting of:

Core (with core return spring) pos. 2
OR guide assembly pos. 4

Core return spring kit

G3022401

N.10 core return spring pos. 3

OR guide assembly kit

L121B02
L121V02
L121D02

GU2421000017
GU2424000017
GU2423000017

N.10 OR guide assembly pos. 4

Guide assembly

3008301R

Guide assembly pos. 5

Coil

ZA30A
ZA30E
ZA32A

Coil pos. 1

► MOUNTING

Solenoid valve can be mounted in any position; vertical with coil upwards preferred.