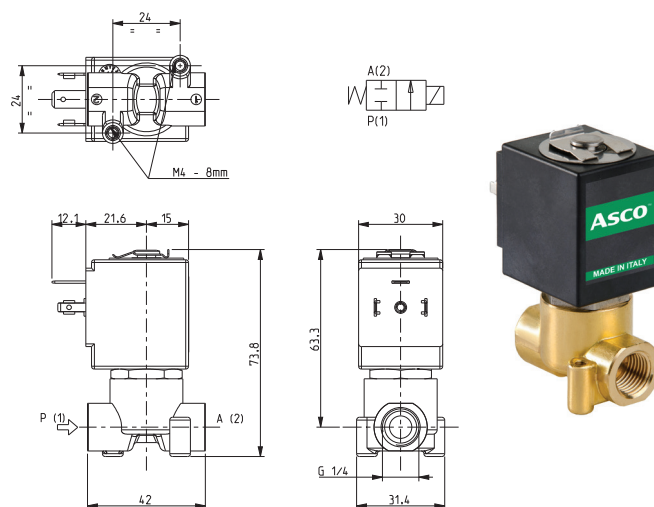


ASCO™ SOLENOID VALVE

2/2 NORMALLY CLOSED – DIRECT ACTING - G 1/4

SERIES
L121-C01-D04



General Features

Direct acting solenoid valve.
Suitable to shut off liquid and gaseous fluids; particularly suitable to shut off overheated water and steam (verify the compatibility of fluid with materials in contact).

Technical Features

Maximum allowable pressure (PS)	40 bar
Opening time	~20ms
Closing time	~20ms
Fluid temperature	-10°C +170°C (Ruby) -10°C +140°C (EPDM)
Max viscosity	5°E (~37 cStokes or mm ² /s)

Materials in Contact with Fluid

Body	Brass
Sealing	RUBY or EPDM
Internal components	Stainless steel
Seat	Stainless steel
Core tube	Stainless steel
Shading coil	Copper

Coil

Approval	UL (class F) – for UL cl.H: ZA34 (E153691)	
Continuous duty	ED 100%	
Encapsulation material	PPS (Polyphenilsulfure) glass fibre reinforced	
Insulation class	F (155°C) on request class H (180°C)	
Ambient temperature	-10°C +50°C	
Electric connections	DIN 46340 - 3 poles connectors (EN175301-803)	
Protection degree	IP 67 (EN 60529) with plug connector	
Voltages	DC	12-24V (+10% -5%)
	AC	ZA10A: 24V/50Hz - 110V/50Hz (120V/60Hz) - 230V/50Hz (+10% -15%) (Other voltages and frequencies on request)

Port size ISO 228	Orifice size (mm)	Δp min	Differential pressure (bar)				Kv (m ³ /h)	Series and type		Power absorption			Sealings	Notes	Weight (kg)				
			Δp max					Valve	Coil	AC (VA)		DC (W)							
			Gases		Liquids					Inrush	Holding								
G 1/4	2,3	0	20	10	20	10	0,15	L121C01	ZA10A	23	14	9	RUBY	1-2-3-5-6	0,290				
			17	5	17	5				0,28	-	-		12		1-2-3-5			
	-		7	-	7	0,40	ZA10A			23	14	9		1-2-3					
	8		3	8	2,5					L121D04	ZA10G	-		-		12	1-2-3-5		
	-		4	-	4							ZA10A		23		14	9	4-5	
	12		4	12	4					0,30	ZA10G			-		-	12	4	
	3,2	0	-	7	-	7	0,45	L121D04	ZA10A	23		14	9	EPDM		4-6			
			4,5	1	4,5	1				ZA10G	-	-	12			4-6			
	-		2	-	2	0,45	ZA10A				23	14	9			EPDM	4-6		
	-		7	-	7	0,30				L121D04	ZA10G	-	-				12	4-6	
	4,8		0	4,5	1		4,5					1	0,45			L121D04	ZA10A	23	14
				-	2	-	2			0,45	L121D04	ZA10G						-	-

Notes

- Sealings : RUBY=Synthetic corundum EPDM = Ethylene-propylene elastomer
- IMQ CSV approval, see ZA10 datasheet for further details
- 1 - The use of rigid sealings (RUBY) with gaseous fluids implies a slight leakage, generally limited at 2 scc/min at 1 bar pressure.
- 2 - Gasket between core armature and body in FPM (Fluoro-carbon elastomer).
- 3 - Only for use with steam, consider following values: PSmax 8 bar (max temperature of fluid 170°).
- 4 - Only for use with steam, consider following values: PSmax 4 bar (max temperature of fluid 140°).
- 5 - On request special coil ZA10X, class "F", with UL homologated windings - see overleaf.
- 6 - Model available on request only: ask for minimum quantity.

SERIES
L121-C01-D04

ASCO™ SOLENOID VALVE
2/2 NORMALLY CLOSED – DIRECT ACTING

Coil for Special Voltages ZA10X	
Approval	UL (class F); see voltages
Continuous duty	ED 100%
Encapsulation material	PPS (Polyphenylsulfure) fiberglass reinforced
Coil insulation class	F (155°C)
Ambient temperature	-10°C +50°C

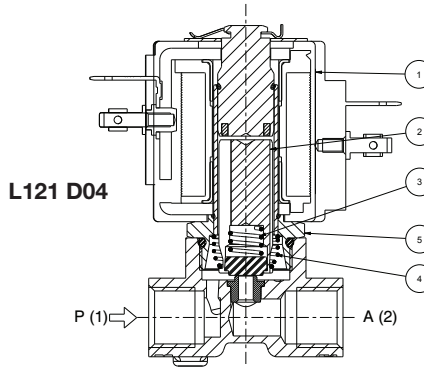
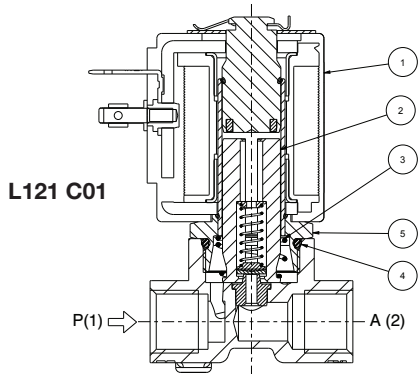
Ambient temperature	DIN 46340 - 3 poles connectors (EN175301-803)	
Electric connections	IP 67 (EN 60529) with plug connector	
Voltages	AC	24V/50-60Hz (UL) • 100V/50-60Hz 115-120V/60Hz • 200V/50-60Hz 220-230V/50Hz - 208-240V/60Hz (UL) 220-240V/50Hz (UL) • (+10% -15%)

Port size ISO 228	Orifice size (mm)	Differential pressure (bar)						Kv (m³/h)	Series and type		Power absorption			Sealings	Notes	Weight (kg)
		Δp min	Δp max				Valve		Coil	AC (VA)		DC (W)				
			Gases		Liquids					Inrush	Holding					
G 1/4	2,3	0	20	-	20	-	0,15	L121C01	ZA10X	23	14	-	RUBY	1-2-3-5	0,300	
	3,2		12,5	-	12,5	-	0,28									
	4,5		5	-	5	-	0,40									
	3,2		9	-	9	-	0,30	L121D04						-		4
	4,8		3	-	3	-	0,45									-

Notes

- Sealings : RUBY=Synthetic corundum EPDM = Ethylene-propylene elastomer
- 1 - The use of rigid sealings (RUBY) with gaseous fluids implies a slight leakage, generally limited at 2 scc/min at 1 bar pressure.
- 2 - Gasket between core armature and body in FPM (Fluoro-carbon elastomer).
- 3 - Only for use with steam, consider following values: PSmax 8 bar (max temperature of fluid 170°).
- 4 - Only for use with steam, consider following values: PSmax 4 bar (max temperature of fluid 140°).
- 5 - Model available on request only: ask for minimum quantity.

Spare Parts



Kit description	Model	Diameter	Kit P.N.	Consisting of:
Core kit	L121C01	Ø 2,3 Ø 3,2 Ø 4,5	G3008801 G3008802 G3008802	Core (with core return spring) pos. 2 OR guide assembly pos. 4
	L121D04	Ø 3,2 Ø 4,8	G3022807 G3022808	
Core return spring kit	L121C01	Ø 2,3 Ø 3,2 Ø 4,5	G3018901 G3022401 G3022401	N.10 core return spring pos. 3
	L121D04	Ø 3,2 Ø 4,8	G3022401 G3018901	
OR guide assembly kit	L121C01		GU2424000017	N.10 OR guide assembly pos. 4
	L121D04		GU2446000017	
Guide assembly kit			G31486	Guide pipe assembly pos. 5 Coil clip
Coil			ZA10A ZA10G ZA10X	Coil pos. 1

Installation

- Solenoid valve can be mounted in any position; vertical with coil upwards preferred.

THE VALIDITY OF REPORTED DATA IS REFERRED TO THE DATE OF ISSUE - POSSIBLE UPDATES ARE AVAILABLE ON REQUEST