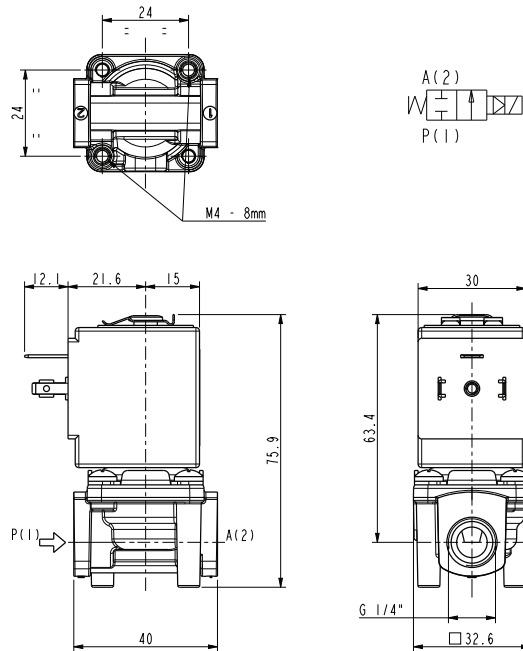


# ASCO™ SOLENOID VALVE

## 2/2 NORMALLY CLOSED – PILOT OPERATED – “ZERO PRESSURE” - G1/4

**SERIES**  
**L127**



### General Features

Diaphragm valve, pilot operated-“zero pressure”, having full orifice.  
Suitable to shut off liquid and gaseous fluids, particularly suitable for closed circuit hydraulic systems and for vessels draining (verify the compatibility of fluid with materials in contact).

Technical Features	
Maximum allowable pressure (PS)	16 bar
Opening time	~30ms
Closing time	~100ms
Fluid temperature	-10°C +90°C (NBR) 0°C +130°C (FPM)
Max viscosity	5°E (~37 cStokes or mm <sup>2</sup> /s)

Materials in Contact with Fluid	
Body	Brass
Sealing	NBR or FPM
Internal components	Stainless steel, brass and POM (acetal copolymer)
Seat	Brass
Core tube	Stainless steel
Shading coil	Copper

Coil		
Approval	UL (class F) – for UL cl.H: ZA34 (E153691)	
Continuous duty	ED 100%	
Encapsulation material	PPS (Polyphenylsulfure) fiberglass reinforced	
Insulation class	F (155°C) on request class H (180°C)	
Ambient temperature	-10°C +50°C	
Electric connections	DIN 46340 - 3 poles plug connectors (EN175301-803)	
Protection degree	IP 67 (EN 60529) with plug connector	
Voltages	DC	12-24V (+10% -5%)
	AC	24V/50Hz - 110V/50Hz (120V/60Hz) - 230V/50Hz (+10% -15%) (Other voltages and frequencies on request)

Port size ISO 228	Orifice size (mm)	Δp min	Differential pressure (bar)				Kv (m <sup>3</sup> /h)	Series and type		Power absorption			Sealings	Notes	Weight (kg)
			Δp max					Valve	Coil	AC (VA)		DC (W)			
			Gases		Liquids					Inrush	Holding				
AC	DC	AC	DC												
G 1/4	8	0	10	8	10	8	0,8	L127B06	ZA10A	23	14	9	-	-	0,305
			-	10	-	10		L127V06							
			-	10	-	10		L127B06	ZA10G	-	-	12			
			-	10	-	10		L127V06							

### Notes

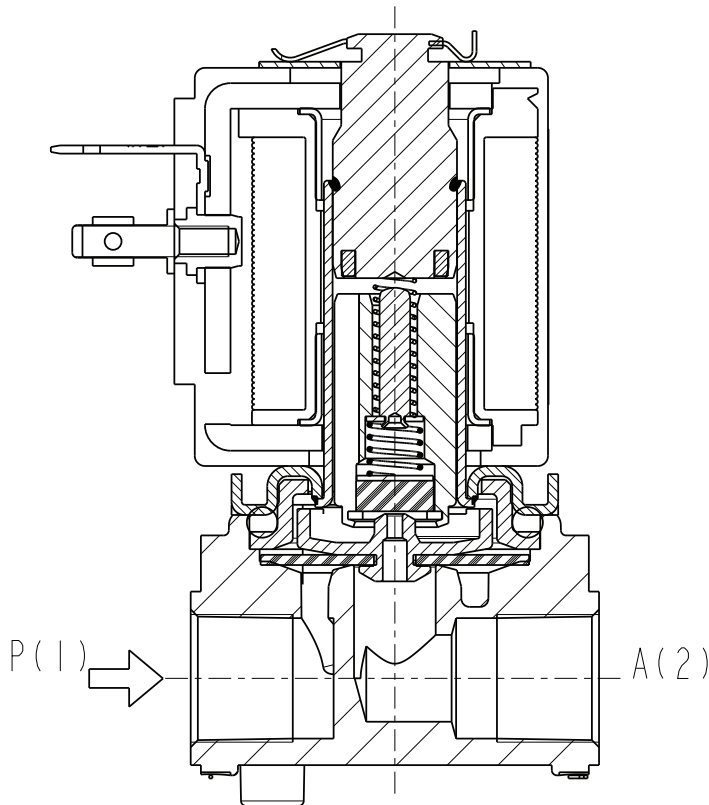
- Sealings : NBR = Nitrile-butylene elastomer FPM = Fluoro-carbon elastomer
- IMQ CSV approval, see ZA10 datasheet for further details

**SERIES  
L127**

**ASCO™ SOLENOID VALVE**

2/2 NORMALLY CLOSED – PILOT OPERATED - “ZERO PRESSURE” - G1/4

**Spare Parts**



Kit description	Model	Kit P.N.	Consisting of:
Core kit		G3118302	Core return spring pos. 2 Core pos. 3 O-Ring guide assembly pos.4
Core spring kit		G2718701	N.10 Core return spring pos. 2
Diaphragm assembly kit	L127B06	G2723201	O-Ring guide assembly pos. 4 Diaphragm assembly pos.5
	L127V06	G2723202	
O-Ring guide assembly kit		GU2424000130	N.10 O-Ring guide assembly pos. 4
Guide assembly kit		G31489	Guide assembly pos. 6 Coil clip
Coil		ZA10A ZA10G	Coil pos.1

**Installation**

- Solenoid valve can be mounted in any position; vertical with coil upwards preferred.

THE VALIDITY OF REPORTED DATA IS REFERRED TO THE DATE OF ISSUE. POSSIBLE UPDATES ARE AVAILABLE ON REQUEST