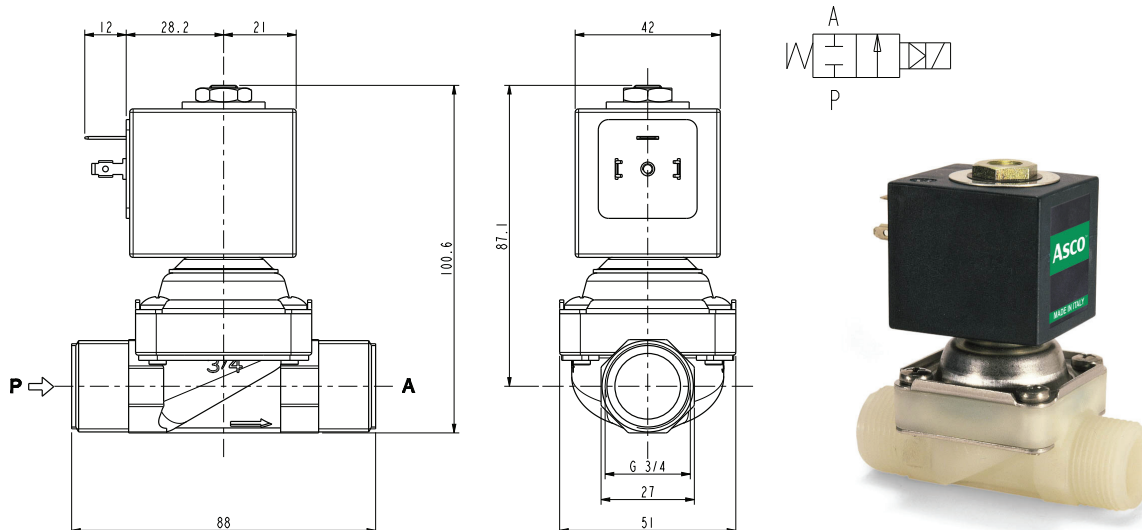


ASCO™ SOLENOID VALVE

2/2 NORMALLY CLOSED – PILOT OPERATED - G 3/4

SERIES
L131



General Features

Diaphragm valve, pilot operated, having full orifice.

The fluid is not in contact with components either in copper or its alloys.

Suitable to shut off liquid and gaseous fluids (verify the compatibility of fluid with materials in contact).

Technical Features	
Maximum allowable pressure (PS)	2 bar
Opening time	~30ms
Closing time	~30ms
Fluid temperature	-10°C +80°C
Max viscosity	5°E (~37 cStokes or mm ² /s)

Materials in Contact with Fluid	
Body	PP (polypropylene) fiberglass reinforced
Sealing	FPM
Internal components	Stainless steel and PP fiberglass reinforced
Seat	PP fiberglass reinforced
Core tube	Stainless steel
Shading coil	Silver plated copper (only L131V08)

Coil		
Continuous duty	ED 100%	
Encapsulation material	PET (polyethylene terephthalate) fiberglass reinforced	
Insulation class	F (140°C) on request class H (165°C) - UL	
Ambient temperature	-10°C +60°C	
Electric connections	DIN 46340 - 3 poles plug connector (EN175301-803)	
Protection degree	IP 65 (EN 60529) with plug connector	
Voltages	DC	12-24V (+10% -15%)
	AC	24V/50Hz-110V/50Hz(120V/60Hz) - 230V/50Hz (+10% -15%) (Other voltages and frequencies on request)

Port size ISO 228	Orifice size (mm)	Differential pressure (bar)				Kv (m ³ /h)	Series and type		Power absorption			Sealings	Notes	Weight (kg)	
		Δp min	Δp max				Valve	Coil	AC (VA)		DC (W)				
			AC	DC	AC				DC	Inrush					Holding
G 3/4	18	0,2	6	-	6	-	4,8	L131V08	Z130A	44	24	-	FPM	-	0,470
			-	6	-	6	3,5	L131V10	Z130N	-	-	18			

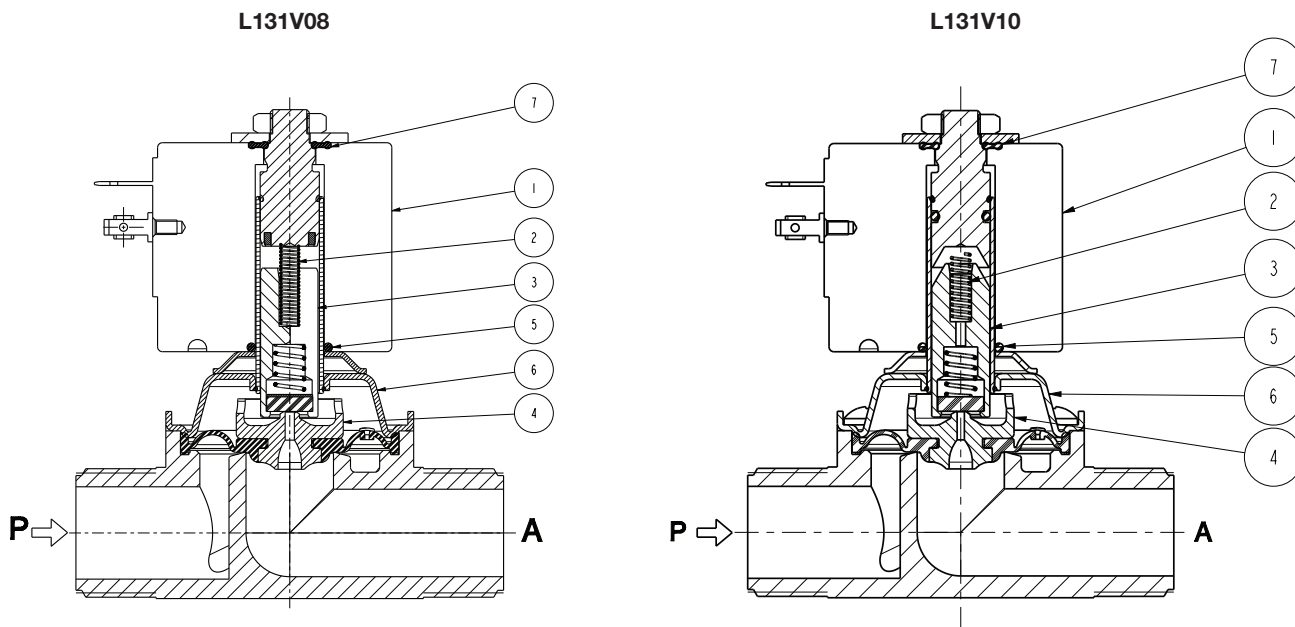
Notes

- Sealings : FPM = Fluoro-carbon elastomer
 - Continuous changes of pressure may reduce the life of the diaphragm.
- 1 - Model available on request; minimum order quantity 50 pcs.

SERIES
L131

ASCO™ SOLENOID VALVE
2/2 NORMALLY CLOSED – PILOT OPERATED - G 3/4

Spare Parts



Kit description	Model	Kit P.N.	Consisting of:
Core kit	L131V08	G3083801	Core return spring pos. 2
	L131V10	G3150401	Core pos. 3
Core spring kit	L131V08	G2002301	N.10 core return spring pos. 2
	L131V10	G2918601	
Diaphragm assembly kit	L131V08	G3141701	Diaphragm assembly pos.4
	L131V10	G3150601	
Kit OR for coil		GU2421000015	N.10 OR for coil pos.5
Kit gasket for coil		G3067301	N.10 gaskets pos.7
Guide assembly	L131V08	298544-002R	Guide assembly pos. 6
	L131V10	298544-004R	
Coil	L131V08	Z130A	Coil pos. 1
	L131V10	Z130N	

Installation

- Solenoid valve can be mounted in any position; vertical with coil upwards preferred.
- In case of disassembling for usual maintenance, the coil fixing nut has to be tightened with 5÷7 Nm torque.

THE VALIDITY OF REPORTED DATA IS REFERRED TO THE DATE OF ISSUE. POSSIBLE UPDATES ARE AVAILABLE ON REQUEST