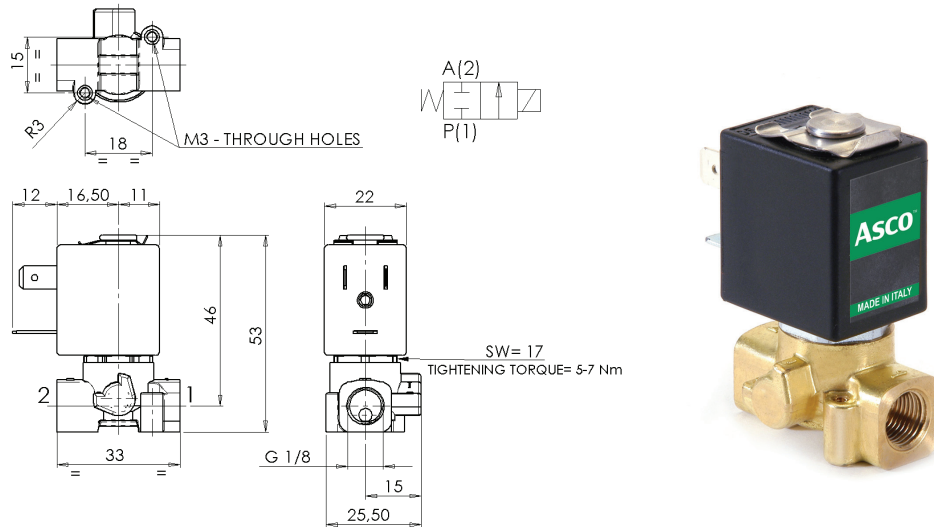


ASCO™ SOLENOID VALVE

2/2 NORMALLY CLOSED – DIRECT ACTING - G 1/8

SERIES
L172



General Features

Direct acting solenoid valve.

Available also integrated on manifold (2÷10 actuators), see the technical data sheet L672.

Suitable to shut off liquid and gaseous fluids (verify the compatibility of fluid with material in contact).

Technical Features	
Maximum allowable pressure (PS)	50bar
Opening time	~10ms
Closing time	~10ms
Fluid temperature	0°C +130°C
Max viscosity	5°E (~37 cStokes or mm ² /s)

Materials in Contact with Fluid	
Body	Brass
Sealing	FPM
Internal components	Stainless steel
Seat	Brass
Core tube	Stainless steel
Shading coil	Copper

Coil	ZB10A	ZB12A	ZB14A
Approval	/	UL and CSA	UL and CSA
Encapsulation material	PA fiberglass reinforced	PET fiberglass reinforced	PET fiberglass reinforced
Insulation class	F (155°C)	F (155°C)	H (180°C)
Ambient temperature	-10°C +60°C	-10°C +60°C	-10°C +75°C
Continuous duty	ED 100%		
Electric connection	DIN 46340 - 3 poles plug connector		
Protection degree	IP 65 (EN 60529) with plug connector	IP 67 (EN 60529) with plug connector	IP 67 (EN 60529) with plug connector
Voltages	DC	12-24V (+10% -5%)	
	AC	24V/50-60Hz - 115V/50Hz - 230V/50-60Hz (+10% -15%) (Other voltages and frequencies on request)	

Port size ISO 228	Orifice size (mm)	Δp min	Differential pressure (bar)				Kv (m ³ /h)	Series and type		Power absorption			Sealings	Notes	Weight (kg)
			Δp max					Valve	Coil	AC (VA)		DC (W)			
			Gases		Liquids					Inrush	Holding				
G1/8	1,2	0	AC	DC	AC	DC	L172V03	ZB10A ZB12A	12	6	4	5,5	FPM	1	
	28		20	28	20	0,05									
	20		12	20	12	0,08									
	15		6	15	6	0,11									
2,4	12	4	12	4	0,13										

Notes

- Sealings: FPM = Fluoro-carbon elastomer
- On request:
 - version with manual override: L172V01
 - sealings in EPDM (Ethylene-propylene elastomer): L172D03
 - body valve in stainless steel AISI 316: L172V07
 - body valve with special surface treatments
 - coil in class H (ZB14A – see § “COIL”)
 - grease/oil free versions
 - customized version: L172V24

1 – ZB12 and ZB14 coils fitted with sealing gaskets underneath and on the upper part (see sectional view on the back)

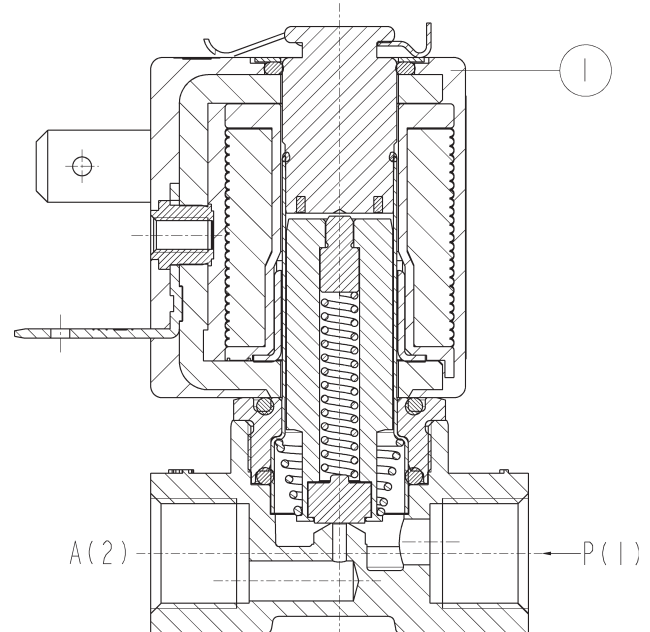
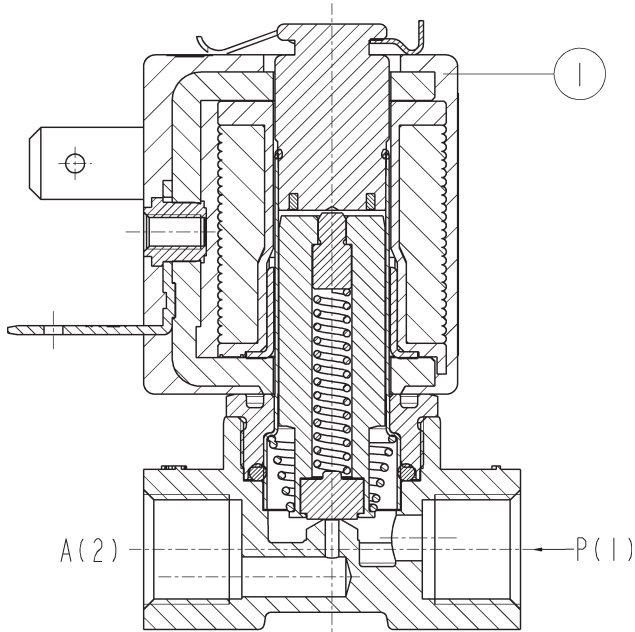
**SERIES
L172**

ASCO™ SOLENOID VALVE
2/2 NORMALLY CLOSED – DIRECT ACTING - G 1/8

Spare Parts

WITH ZB10A COIL

WITH ZB12A – ZB14A



Kit description	Kit P.N.	Consisting of:
Coil	ZB10A ZB12A ZB14A	Coil pos. 1

Installation

- Solenoid valve can be mounted in any position; vertical with coil upwards preferred.

THE VALIDITY OF REPORTED DATA IS REFERRED TO THE DATE OF ISSUE. POSSIBLE UPDATES ARE AVAILABLE ON REQUEST