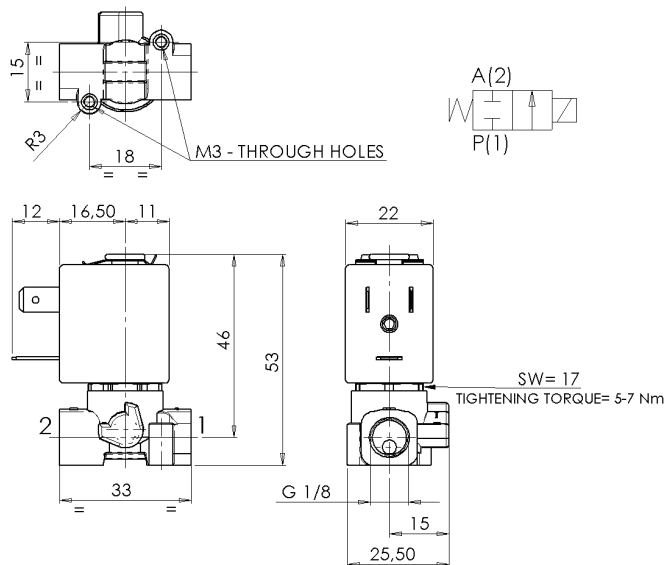


ASCO™ SOLENOID VALVE

2/2 NORMALLY CLOSED – DIRECT ACTING - G 1/8

SERIES
L172



General Features

Direct acting solenoid valve.

Suitable to shut off liquid and gaseous fluids (verify the compatibility of fluid with material in contact).

Technical Features	
Maximum allowable pressure (PS)	50bar
Opening time	~10ms
Closing time	~10ms
Fluid temperature	0°C +130°C
Max viscosity	5°E (~37 cStokes o mm ² /s)

Materials in Contact with Fluid	
Body	Stainless steel AISI 316L
Sealing	FPM
Internal components	Stainless steel
Seat	Stainless steel AISI 316L
Core tube	Stainless steel
Shading coil	Copper

Coil	ZB12A	ZB14A
Approval	UL and CSA	UL and CSA
Encapsulation material	PET (polyethylene-terephthalate) fiberglass reinforced	PET (polyethylene-terephthalate) fiberglass reinforced
Insulation class	F (155°C)	H (180°C)
Ambient temperature	-10°C +60°C	-10°C +75°C
Continuous duty	ED 100%	
Electric connection	DIN 46340 - 3 poles plug connector	
Protection degree	IP 67 (EN 60529) with plug connector	
Voltages	DC	12-24V (+10% -5%)
	AC	24V/50-60Hz - 115V/50Hz - 230V/50-60Hz (+10% -15%) (Other voltages and frequencies on request)

Port size ISO 228	Orifice size (mm)	Δp min	Differential pressure (bar)				Kv (m ³ /h)	Series and type		Power absorption			Sealings	Notes	Weight (kg)
			Δp max					Valve	Coil	AC (VA)		DC (W)			
			Gases		Liquids					Inrush	Holding				
G1/8	1,2	0	AC	DC	AC	DC	L172V07	ZB12A	12	6	4	5,5	FPM	0,145	
	1,6		28	20	28	20									0,05
	2		20	12	20	12									0,08
	2,4		15	6	15	6									0,11
			12	4	12	4									

Notes

- Sealings: FPM = Fluoro-carbon elastomer
- On request: - version with manual override: L172V05
 - sealings in EPDM (Ethylene-propylene elastomer): L172D07 – L172D05 (with manual override)
 - coil in class H (ZB14A – see § "COIL")
 - grease/oil free versions

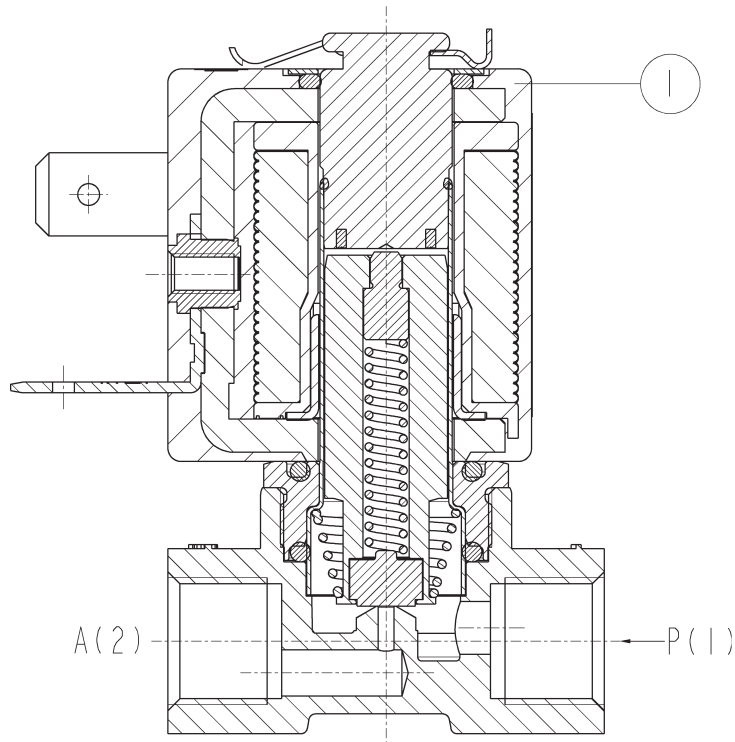
1 – ZB12 and ZB14 coils fitted with sealing gaskets underneath and on the upper part (see sectional view on the back)

STAINLESS STEEL

SERIES
L172

ASCO™ SOLENOID VALVE
2/2 NORMALLY CLOSED – DIRECT ACTING - G 1/8

Spare Parts



Kit description	Kit P.N.	Consisting of:
Coil	ZB12A ZB14A	Coil pos. 1

Installation

- Solenoid valve can be mounted in any position; vertical with coil upwards preferred.

THE VALIDITY OF REPORTED DATA IS REFERRED TO THE DATE OF ISSUE. POSSIBLE UPDATES ARE AVAILABLE ON REQUEST