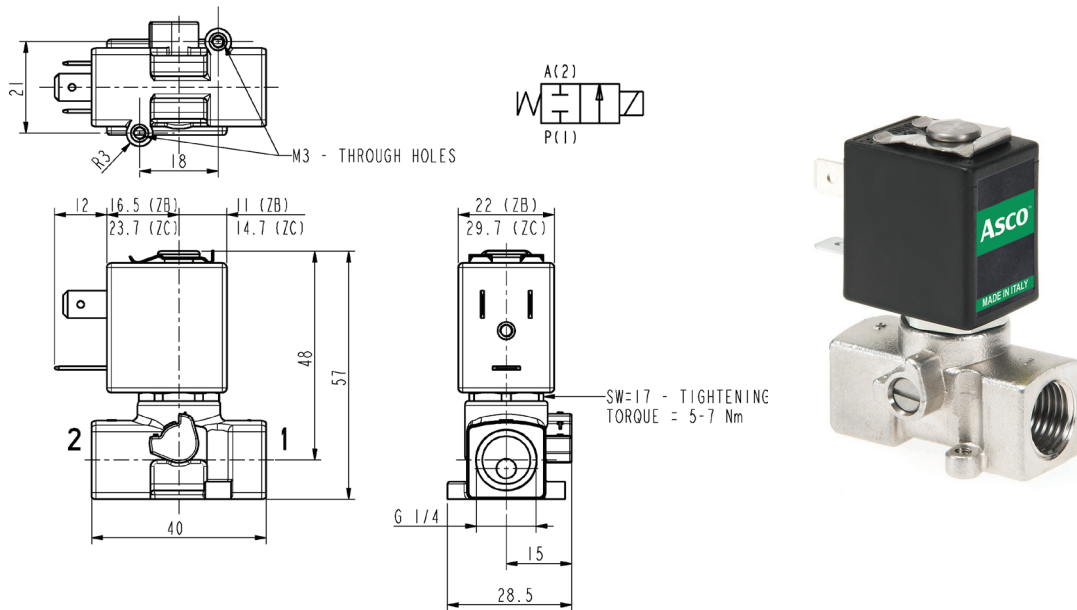


# ASCO™ SOLENOID VALVE

2/2 NORMALLY CLOSED – DIRECT ACTING - G 1/4

**SERIES**  
**L176**



### General Features

Direct acting solenoid valve.

Suitable to shut off liquid and gaseous fluids (verify the compatibility of fluid with material in contact).

Technical Features	
Maximum allowable pressure (PS)	50bar
Opening time	~10ms
Closing time	~10ms
Fluid temperature	-10°C +130°C
Max viscosity	5°E (~37 cStokes or mm <sup>2</sup> /s)

Materials in Contact with Fluid	
Body	Stainless steel AISI 316L
Sealing	FPM
Internal components	Stainless steel
Seat	Stainless steel AISI 316L
Core tube	Stainless steel
Shading coil	Copper

Coil	ZB12A ZC12A	ZB14A ZC14A
	According to standards ▲UL and CSA	
Encapsulation material	PET fiberglass reinforced	
Insulation class	F (155°C)	H (180°C)
Ambient temperature	-10°C +60°C	-10°C +75°C
Continuous duty	ED 100%	
Electric connection	DIN 46340-3 poles plug connector (EN175301-803 for ZC)	
Protection degree	IP 67 (EN 60529) with plug connector	
Voltages	DC	12-24V (+10% -5%)
	AC	24V/50-60Hz - 115V/50Hz - 230V/50-60Hz (+10% -15%) (Other voltages and frequencies on request)

▲: approval valid for ZB12A – ZB14A only

Port size ISO 228	Orifice size (mm)	Δp min	Differential pressure (bar)				Kv (m <sup>3</sup> /h)	Series and type		Power absorption				Sealings	Notes	Weight (kg)
			Δp max					Valve	Coil	AC (VA)		DC				
			Gases		Liquids					Inrush	Holding					
			AC	DC	AC	DC			VA	VA	W	W				
G1/4	1,6	0	20	12	20	12	0,08	L176V07	ZB12A	12	6	4	5,5	FPM	1 - 2	0,160
	2,4		12	4	12	4	0,16			ZC12A	10	6	3,5			
	1,6		20	15	20	15	0,08									
	2,4		15	8	15	8	0,16									

### Notes

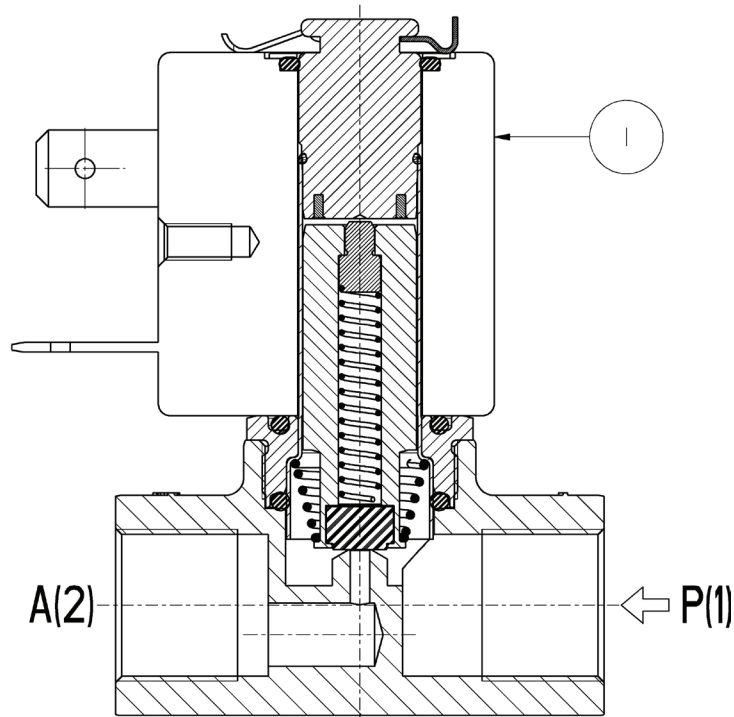
- Sealings: FPM = Fluoro-carbon elastomer
- On request: - coil in class H (ZB14A – ZC14A see § “COIL”)
- 1 - On request version with manual override: L176V05
- 2 - ZB12A - ZB14A – ZC12A and ZC14A coils fitted with sealing gaskets underneath and on the upper part (see sectional view on the back)

STAINLESS STEEL

**SERIES**  
**L176**

**ASCO™ SOLENOID VALVE**  
2/2 NORMALLY CLOSED – DIRECT ACTING - G 1/4

**Spare Parts**



Kit description	Kit P.N.	Consisting of:
Coil	ZB12A ZB14A ZC12A ZC14A	Coil pos. 1

**Installation**

- Solenoid valve can be mounted in any position; vertical with coil upwards preferred.

THE VALIDITY OF REPORTED DATA IS REFERRED TO THE DATE OF ISSUE. POSSIBLE UPDATES ARE AVAILABLE ON REQUEST