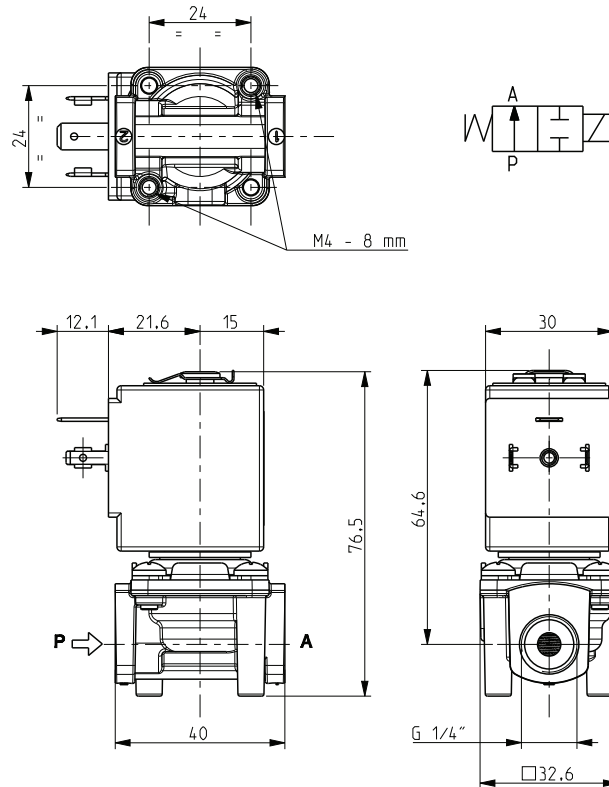


ASCO™ SOLENOID VALVE

2/2 NORMALLY OPEN – DIRECT ACTING - G 1/4

SERIES
L208



General Features

Direct acting solenoid valve, suitable to shut off liquid and gaseous fluids (verify the compatibility of fluid with materials in contact).

Technical Features	
Maximum allowable pressure (PS)	20 bar
Opening time	~30ms
Closing time	~30ms
Fluid temperature	0°C +100°C
Max viscosity	5°E (~37 cStokes or mm ² /s)

Materials in Contact with Fluid	
Body	Brass
Sealing	FPM
Internal components	Stainless steel
Seat	PSU (Polysulphone)
Core tube	Stainless steel
Shading coil	Copper

Coil		
Approval	UL (class F) – for UL cl.H: ZA34 (E153691)	
Continuous duty	ED 100%	
Encapsulation material	PPS (Polyphenilsulfure) fiberglass reinforced	
Insulation class	F (155°C) on request class H (180°C)	
Ambient temperature	-10°C +50°C	
Electric connection	DIN 46340 - 3 poles connectors (EN175301-803)	
Protection degree	IP 67 (EN 60529) with plug connector	
Voltages	DC	12-24V (+10% -5%)
	AC	24V/50Hz - 110V/50Hz (120V/60Hz) - 230V/50Hz (+10% -15%) (Other voltages and frequencies on request)

Port size ISO 228	Orifice size (mm)	Differential pressure (bar)				Kv (m ³ /h)	Series and type		Power absorption			Sealings	Notes	Weight (kgs)	
		Δp min	Δp max		Valve		Coil	AC (VA)		DC (W)					
			Gases	Liquids				Inrush	Holding						
G 1/4	3	0	AC	DC	AC	DC	0,19	L208V03	ZA10A	23	14	9	FPM	-	0,320

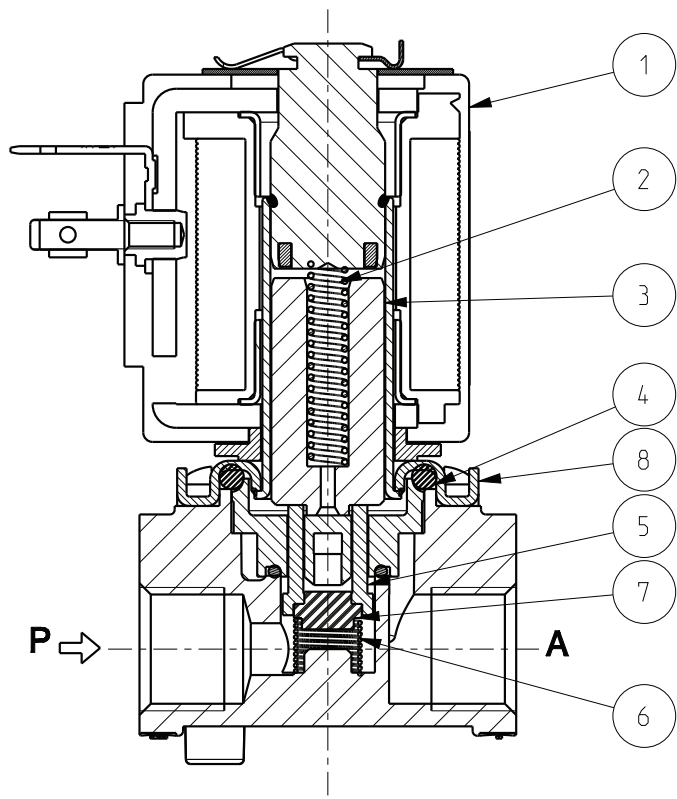
Notes

- Sealings : FPM = Fluoro-carbon elastomer
- IMQ CSV approval, see ZA10 datasheet for further details

**SERIES
L208**

ASCO™ SOLENOID VALVE
2/2 NORMALLY OPEN – DIRECT ACTING - G 1/4

Spare Parts



Kit description	Kit P.N.	Consisting of:
Core kit	G3104601	Core return spring pos. 2 Core pos. 3 OR guide assembly pos.4 Pusher pos. 5 Sealing return spring pos. 6 Sealing disc pos. 7
Core return spring kit	G2714401	N°.10 Core return spring pos. 2
OR guide assembly kit	GU2442000053	N°. 10 OR guide assembly pos.4
Guide assembly kit	G31498	Guide assembly pos.8 Coil clip
Coil	ZA10A	Coil pos.1

Installation

- Solenoid valve can be mounted in any position; vertical with coil upwards preferred.

THE VALIDITY OF REPORTED DATA IS REFERRED TO THE DATE OF ISSUE. POSSIBLE UPDATES ARE AVAILABLE ON REQUEST