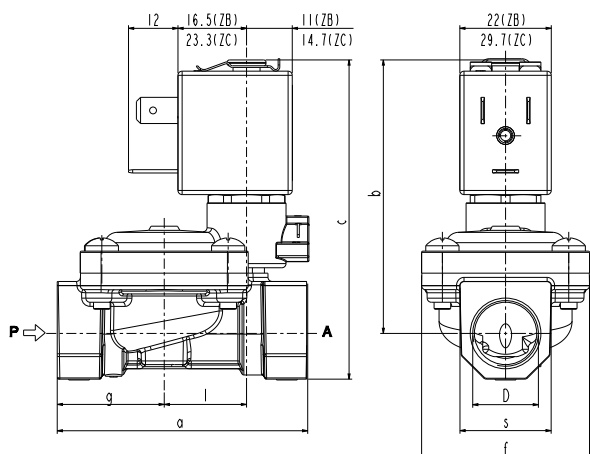


ASCO™ SOLENOID VALVE

2/2 NORMALLY OPEN – PILOT OPERATED - G3/8 ÷ G1

SERIES
L282



D	a	b	c	f	g	l	s
G 3/8	60	67	78	40	25,5	20	22
G 1/2	66	69	83	40	29	20	27
G 3/4	79	73,5	90	50	35,5	24,5	33
G 1	105	86	107	71	46	28	42



General Features

Diaphragm valve, pilot operated, having full orifice.
Suitable to shut off liquid and gaseous fluids (verify the compatibility of fluid with material in contact).

Technical Features	
Maximum allowable pressure (PS)	20bar
Opening time	from ~300ms to ~1500ms
Closing time	from ~1000ms to ~2000ms
Fluid temperature	-10°C +90°C (NBR) 0°C +130°C (FPM)
Max viscosity	5°E (~37 cStokes or mm²/s)

Materials in Contact with Fluid	
Body	Stainless steel AISI 316L
Sealing	NBR or FPM
Internal components	Stainless steel
Seat	Stainless steel AISI 316L
Core tube	Stainless steel
Shading coil	Copper

Coil	ZB12K ZC12A	ZB14K ZC14A
Approval	▲UL and CSA	
Encapsulation material	PET fiberglass reinforced	
Insulation class	F (155°C)	H (180°C)
Ambient temperature	-10°C +60°C	-10°C +75°C
Continuous duty	ED 100%	
Electric connection	DIN46340 - 3 poles plug connector (EN 75301-803 for ZC)	
Protection degree	IP 67 (EN 60529) with plug connector	
Voltages	DC	ZC: 12-24V (+10% -5%)
	AC	ZB: 24V/50-60Hz - 120V/60Hz - 230V/50-60Hz - 220-230/50Hz 208-240/60Hz (on request) - (+10% -15%) (Other voltages and frequencies on request)

▲: approval valid for ZB12K – ZB14K only

Port size ISO 228	Orifice size (mm)	Differential pressure (bar)				Kv (m³/h)	Series and type		Power absorption				Sealings	Notes	Weight (kg)
		Δp min	Δp max		Valve		Coil	AC (VA)			DC				
			Gases	Liquids				Inrush	Holding	DC					
AC	DC	AC	DC	VA	VA	W	W								
3/8	13,5	0,35	12	12	2,5	L282B09	ZB12K	11,7	10	7,6	-	-	-	NBR	0,30
L282V09						FPM									
1/2	18		10	10	3,8	L282B09								NBR	0,35
L282V09			FPM												
3/4	24	10	10	5	L282B09	NBR	0,50								
L282V09		FPM													
1	13,5	0,35	-	12	2,5	L282B09	ZC12A	-	-	-	5,5	-	NBR	0,37	
L282V09						FPM									
3/8	18		10	10	3,8	L282B09							NBR	0,41	
L282V09			FPM												
1/2	24	10	10	5	L282B09	NBR	0,56								
L282V09		FPM													
3/4	13,5	0,35	-	12	2,5	L282B09	ZB12K	-	-	-	-	-	NBR	0,37	
L282V09						FPM									
1/2	18		10	10	3,8	L282B09							NBR	0,41	
L282V09			FPM												
3/4	24	10	10	5	L282B09	NBR	0,56								
L282V09		FPM													

Notes

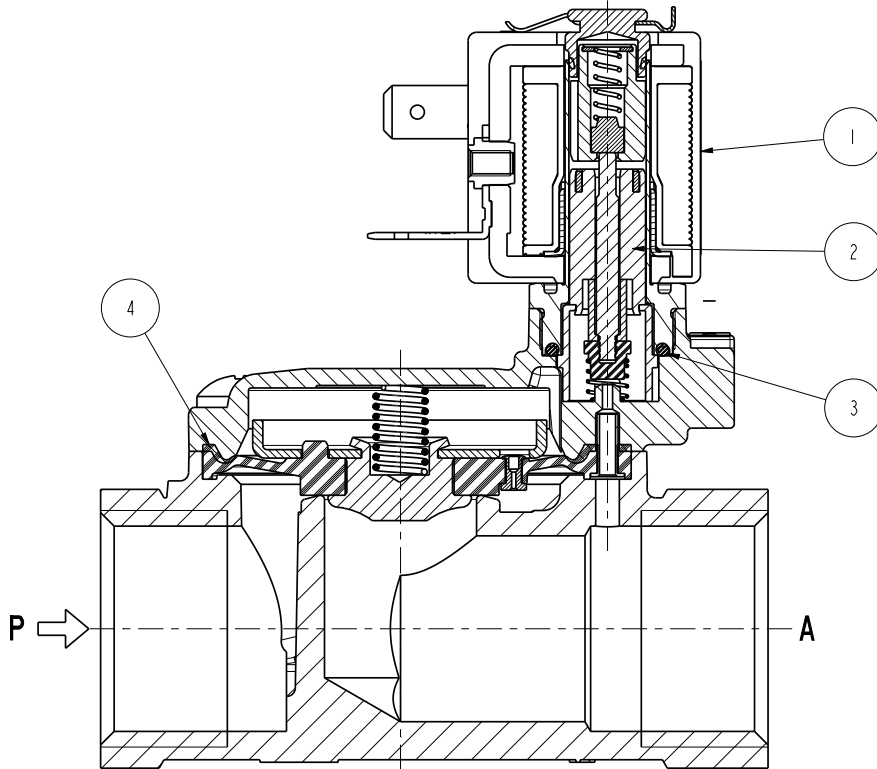
- Sealings: NBR = Nitrile-butylene elastomer FPM = Fluoro-carbon elastomer
- Operation with gaseous media, at high pressure without any outlet restriction, can reduce the diaphragm life.
- On request coil in class H (ZB14K – ZC14A – see § “COIL”)
- On request valve with EPDM sealing Product under recertification process.

STAINLESS STEEL

SERIES
L282

ASCO™ SOLENOID VALVE
2/2 NORMALLY OPEN – PILOT OPERATED - G3/8 ÷ G1

Spare Parts



Kit description	Model	Port Size	Kit P.N.	Consisting of:
Actuator kit			G3141901	Actuator kit pos.2 O-Ring guide assembly pos. 3
Diaphragm assembly	L282B	G3/8-1/2	2844305R	Diaphragm assembly pos. 4
		G3/4	298594-003R	
		G1	298592-003R	
	L282V	G3/8-1/2	2844309R	
		G3/4	298594-001R	
		G1	298592-001R	
Coil			ZB ZC	Coil pos.1

Installation

- Solenoid valve can be mounted in any position; vertical with coil upwards preferred.

THE VALIDITY OF REPORTED DATA IS REFERRED TO THE DATE OF ISSUE. POSSIBLE UPDATES ARE AVAILABLE ON REQUEST