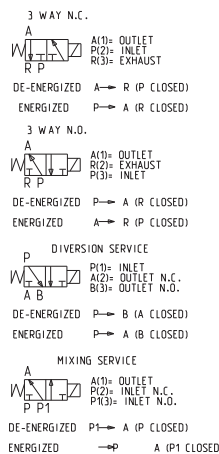
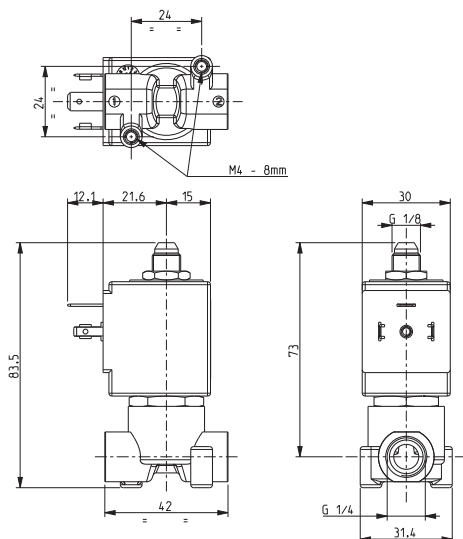


ASCO™ SOLENOID VALVE

3/2 NC - NO - U (UNIVERSAL SERVICE) – DIRECT ACTING - G 1/4

SERIES
L321



General Features

Direct acting solenoid valve.

Suitable to shut off liquid and gaseous fluids (verify the compatibility of fluid with materials in contact).

Technical Features	
Maximum allowable pressure (PS)	40 bar
Opening time	~20ms
Closing time	~20ms
Fluid temperature	-10°C +90°C (NBR) 0°C +130°C (FPM)
Max viscosity	5°E (~37 cStokes or mm²/s)

Materials in Contact with Fluid	
Body	Brass
Sealing	NBR or FPM
Internal components	Stainless steel
Seat	Brass
Guide assembly	Stainless steel
Shading ring	Copper

Coil	
Approval	UL (class F) – for UL cl.H: ZA34 (E153691)
Continuous duty	ED 100%
Encapsulation material	PPS (Polyphenylsulfure) fiberglass reinforced
Insulation class	F (155°C) on request class H (180°C)
Ambient temperature	-10°C +50°C
Electric connections	DIN 46340 - 3 poles connectors (EN175301-803)
Protection degree	IP 67 (EN 60529) with plug connector
Voltages	DC ZA10G: 12-24V (+10% -5%)
	AC ZA10A: 24V/50Hz - 110V/50Hz (120V/60Hz) - 230V/50Hz (+10% -15%) (Other voltages and frequencies on request)

Port size ISO 228	Orifice size (mm)	Differential pressure (bar)	Kv (m³/h)	Series and type		Power absorption			Sealings	Function Notes	Weight (kg)	
				Valve	Coil	AC (VA)		DC (W)				
						Inrush	Holding					
G 1/4	2,3	0	0,14	L321B02C	ZA10A	23	14	-	NBR	NC - 1	0,300	
						ZA10G	-	-				12
					L321V02C		ZA10A	23	14	-		FPM
						ZA10G		-	-	12		
					L321B02A		ZA10A	23	14	-		NBR
						ZA10G		-	-	12		
				L321V02G	ZA10A		23	14	-	FPM		U - 1
						ZA10G	-	-	12			

Notes

- Sealings : NBR = Nitrile-butylene elastomer FPM = Fluoro-carbon elastomer
- NC: Normally closed NO: Normally open U: Universal
- IMQ CSV approval, see ZA10 datasheet for further details
- 1 - On request special coil ZA10X, class "F", with UL homologated windings – see overleaf.
- 2 - Model available on request only: ask for minimum quantity.

SERIES
L321

ASCO™ SOLENOID VALVE
3/2 NC - NO - U (UNIVERSAL SERVICE) – DIRECT ACTING - G 1/4

Coil for Special Voltages ZA10X	
Approval	UL (class F); see voltages
Continuous duty	ED 100%
Encapsulation material	PPS (Polyphenylsulfure) fiberglass reinforced
Coil insulation class	F (155°C)
Ambient temperature	-10°C +50°C

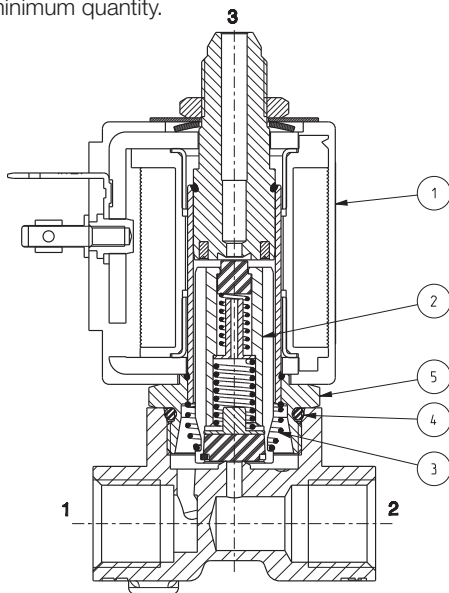
Electric connections	DIN 46340 - 3 poles connectors (EN175301-803)	
Protection degree	IP 67 (EN 60529) with plug connector	
Voltages	AC	24V/50-60Hz (UL) • 100V/50-60Hz 115-120V/60Hz • 200V/50-60Hz 220-230V/50Hz • 208-240V/60Hz (UL) 220-240V/50Hz (UL) • (+10% -15%)

Port size ISO 228	Orifice size (mm)	Differential pressure (bar)				Kv (m³/h)	Series and type		Power absorption			Sealings	Function Notes	Weight (kg)
		Δp min	Δp max		Valve		Coil	AC (VA)		DC (W)				
			AC	DC				Inrush	Holding					
G 1/4	2,3	0	8	8	L321B02C	ZA10X	23	14	-	NBR	NC NC NO - 1 UF	0,380		
			8	8						FPM				
			8	8						NBR				
			5	5						FPM				

Notes

- Sealings : NBR = Nitrile-butylene elastomer FPM = Fluoro-carbon elastomer
- NC: Normally closed NO: Normally open U: Universal
- 1 - Model available on request only; ask for minimum quantity.

Spare Parts



Kit description		Kit P.N.	Consisting of:
Core kit	L321B02C	G3038405	Core pos. 2 Core return spring pos. 3 OR guide assembly pos. 4
	L321V02C	G3038404	
	L321B02A	G3064902	
	L321V02G	G3065101	
Core return spring kit	L321B-V02C	G3065701	N.10 core return spring pos. 3
	L321B02A	G3063601	
	L321V02G	G3022401	
OR guide assembly kit	L321B02C-A	GU2421000017	N.10 OR guide assembly pos. 5
	L321V02C-G	GU2424000017	
Guide assembly		297779-001R	Guide pipe assembly pos. 5
Coil		ZA10A ZA10G ZA10X	Coil pos. 1

Installation

- Solenoid valve can be mounted in any position; vertical with coil upwards preferred.

THE VALIDITY OF REPORTED DATA IS REFERRED TO THE DATE OF ISSUE. POSSIBLE UPDATES ARE AVAILABLE ON REQUEST