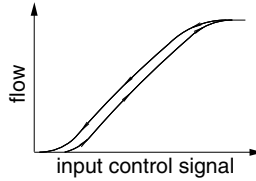


FEATURES

- Variable valve opening (flow), proportional to the control signal
- Digital controller with two operating buttons and position indication
- Valves do not require a minimum operating pressure
- Low power consumption
- Wear-resistant ceramic control discs
- Insensitive to contamination
- Suitable for vacuum and overpressure applications
- Mechanical separation of electrical actuator from fluid-carrying parts
- Valve position maintained on loss of power
- Valves can be mounted in any position
- The solenoid valves satisfy all relevant EC directives



GENERAL

Differential pressure -0,9 to +10 bar (usable in 0,1 bar abs. vacuum) [1 bar =100 kPa]
Ambient temperature range 0°C to +50°C
Maximum viscosity 80 cSt (mm²/s)
Actuating time 2 s

fluids (*)	temperature range (TS) ⁽¹⁾	seal materials (*)
air, inert gas, water, oil	- 5°C to + 90°C	oxide ceramics EPDM (ethylene-propylene)

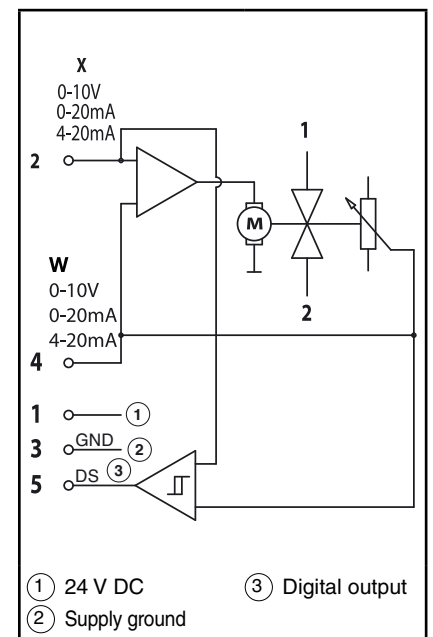
MATERIALS IN CONTACT WITH FLUID

(*) Ensure that the compatibility of the fluids in contact with the materials is verified

Body Brass
Internal parts POM, stainless steel
Seals Oxide ceramics, EPDM

ELECTRICAL CHARACTERISTICS

Connector 5-pin female M12 connector
Electrical enclosure protection IP65 (EN 60529)
Standard voltage DC (=): 24V
Power consumption 6 W (max. 10 W at end of stroke)
Flow regulation characteristics ⁽²⁾ Hysteresis < 3%; Repeatability < 2% ; Sensitivity < 2%



SPECIFICATIONS

pipe size	orifice size	flow coefficient Kv		operating pressure differential (bar)			setpoint	feedback output	catalogue number	
				min.	max. (PS)					
G	(mm)	(m ³ /h)	(l/min)		air, water (*)	oil (*)				
3/4	15	1,1	18	-0,9	10	10	0-10 V	0-10 V	6100011x	
								0-20 mA	6100021x	
								4-20 mA	6100031x	
								0-20 mA	0-10 V	6100111x
									0-20 mA	6100121x
									4-20 mA	6100131x
							4-20 mA	0-10 V	6100211x	
								0-20 mA	6100221x	
								4-20 mA	6100231x	

⁽¹⁾ Damage may occur when liquids solidify above the specified minimum temperature.
⁽²⁾ Values related to valve position.

controller structure	x
standard version (position controller)	0
External feedback input 0 - 10 V (double loop (cascade) control)	1
External feedback input 0 - 20 mA (double loop (cascade) control)	2
External feedback input 4 - 20 mA (double loop (cascade) control)	3
External frequency input NPN (after GND) (double loop (cascade) control)	4
External frequency input PNP (after +24 V) (double loop (cascade) control)	5

OPTIONS AND ACCESSORIES

- Female M12 connector:
 - 5 pins, with screw terminals, catalogue number: **straight 88100256** **right-angle 88100725**
 - Supply cable 2 m, 5 x 0,25 mm², catalogue number: **88100726** **88100727**
 - Supply cable 5 m, 6 x 0,56 mm², catalogue number: **88100728** **88100729**
 - Supply cable 10 m, 6 x 0,56 mm², catalogue number: **88100730** **88100731**
- Software tool for PC "ASCO-MotorCom" available for download at: www.asconumatics.eu
- RS-232 converter, 2 m cable with 9 pin Sub-D connector for PC link, catalogue number **88100732**

INSTALLATION

- The solenoid valves can be mounted in any position without affecting operation
- Threaded pipe connection is standard: G = G (ISO 228/1)
- Installation/maintenance instructions are included with each valve
- LED display
 - LED red = low voltage or overvoltage (blinking)
 - LED green = pressure switch
 - LED yellow = manual operation

Electrical connection:

Male connector pinning (power supply)



5-wire cable
(2 m)

6-wire cable
(5 m, 10 m)

+ 24 V DC, supply	1	brown	brown
analog setpoint input	2	white	white
supply ground	3	blue	green
analog ground ⁽¹⁾			yellow
analog output (feedback)	4	black	pink
digital output (pressure switch)	5	grey	grey
EMC shield		shield	shield
	housing ⁽²⁾		

Female connector pinning (sensor)

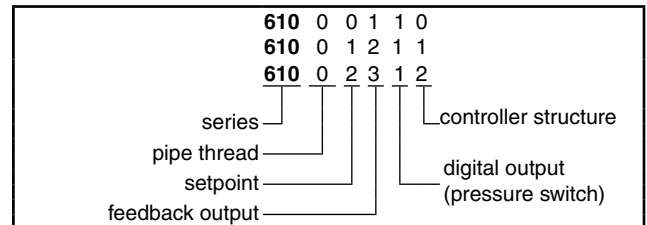


+ 24 V DC, supply	1
external feedback input	2
supply ground	3
frequency input	4
unused	5
EMC shield	housing ⁽²⁾

⁽¹⁾ A 6-wire cable with separate analog ground is used for cable lengths over 2 m to set off the voltage drop for the setpoint.

⁽²⁾ The housing of the M12 male connector/M12 female connector is connected to the valve body.

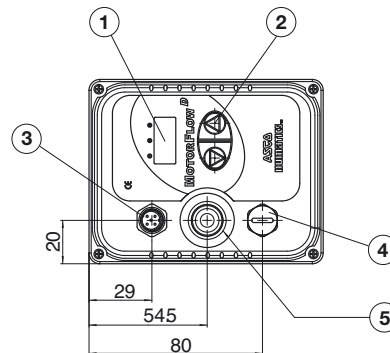
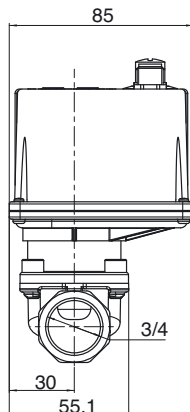
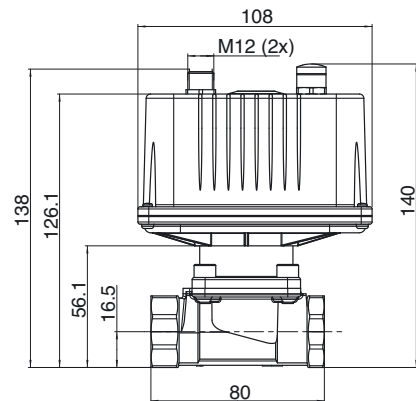
ORDERING EXAMPLES:



DIMENSIONS (mm), WEIGHT (kg)



IP65



weight
1,1

- ① Valve opening display (0-100%)
- ② Operating buttons (manual operation)
- ③ Power supply

- ④ Sensor input
- ⑤ Programming hole