



## » RH96 Humidity + Temperature sensor

### » Ordering code

Storage rooms  
Humidifiers/Dehumidifiers  
Air conditioning  
Domotics



### » Description

RH96 is a compact and cost-effective solution for relative humidity measurement, integrating also a 3wires PT100 sensor for temperature measurements. Filter cap is available either as metal grid or sintered brass. A plastics clip is provided for the wall mounting. RH96 can be easily and conveniently connected to the analog input of any Pixsys controller or PLC.

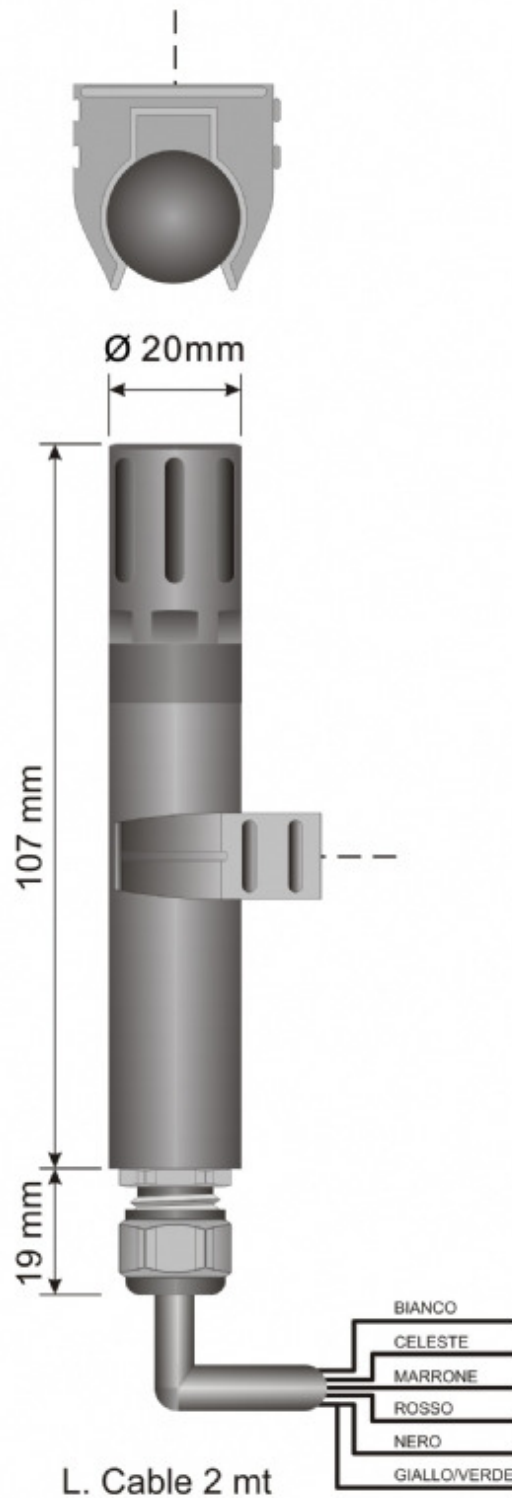
### » Technical data

Dimensions: 126x20mm  
Power supply: 12..30Vcc  
Power consumption: max 3,5mA version 0..10V  
Operating temperature: -10...60°  
Measuring range: 6...100%RH  
Output:  
0..10V = 0..100%RH; + PT100-3wires  
4...20mA = 0...100%RH;  
Accuracy at 25°C: +/- 5%RH (15..90%RH)  
Cable lenght: 3m

### » Ordering Code

### » Installation

## Transmitter for Humidity and temperature cod. RH96 Cod. 2000.50.xxx



Code	Model	Output signal	Filter	
<b>2000.50.018</b>	Humidity	RH96-3GA	4...20 mA	Metal Grid / Griglia metallica
<b>2000.50.019</b>	Humidity	RH96-3BA	4...20 mA	Stainless steel / Sinterizzato
<b>2000.50.020</b>	Humidity + Temperature	RH96-3GVP	0...10 V	Metal Grid / Griglia metallica
<b>2000.50.021</b>	Humidity + Temperature	RH96-3BVP	0...10 V	Stainless steel / Sinterizzato

**Pixsys srl** - Via Tagliamento, 18 - 30030 - Mellaredo di Pianiga (VE)  
Ph. +39 041 5190518 Fax +39 041 5190027