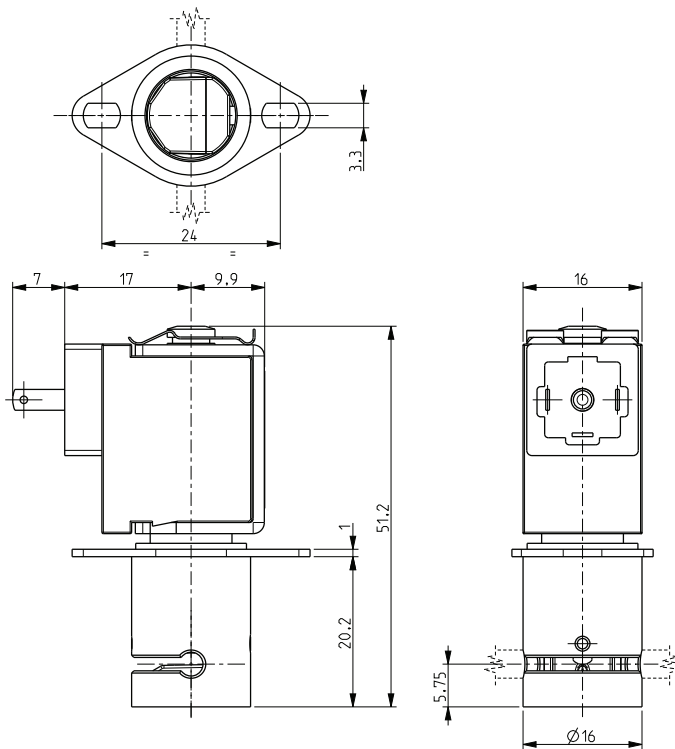


ASCO™ PINCH SOLENOID VALVE

2/2 NORMALLY OPEN

SERIES
S204



General Features

Pinch solenoid valve, suitable to shut off media without producing neither turbulent flows, nor dead spaces. High flow rate under the same conditions of internal diameter of different solenoid valves; the system allows a bi-directional through flow. The valves are suitable for soft SILICONE tubings or others, similar as to elasticity and hardness (50 shore A).

The tubing is the only material in contact with the fluid.

The tubings are not included in our supply.

Materials	
Body	Anodized aluminum
Pinching device	POM (reinforced acetal copolymer)
Internal components	Stainless steel
Core tube	Chemically nickel coated brass (Ni-P).

Coil	
Continuous Duty	ED 100%
Encapsulation material	PA (Polyamide) fiberglass reinforced
Insulation class	F (155°C)
Ambient temperature	-10°C +60°C
Electric connections	DIN 46340 with micro plug connector
Protection degree	IP 65 (EN 60529) with micro plug connector
Voltages	DC
	12-24V (+10% -5%) (Other voltages on request)

Installation

- Solenoid valve can be mounted in any position.

TUBINGS		Tubing minimum wall thickness (mm)	Pinching strength (kg)	Series and type		Power absorption (W)	Notes	Weight (kg)
I.D. (mm)	O.D. (mm)			Valve	Coil			
0,76	1,65	0,4	1,200	S204-04	ZE30A	4	-	0,050
1,02	2,16	0,5	1,300	S204-05				
1,57	3,18	0,7	0,600	S204-06				
1,98		0,5	0,900	S204-07				

Notes

- If the soft tubings are different from the ones indicated, it's important that the tubing minimum wall thickness is the same as shown in the table.
- For the use of a soft tubing with outside diameter smaller than 2,2mm it is necessary to install the tubing guide sleeve (drawing K29501).
- In case the tubing is not placed in its seat, the solenoid valve could operate incorrectly.