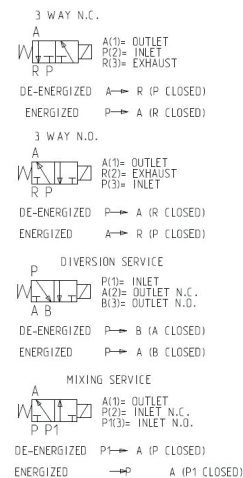
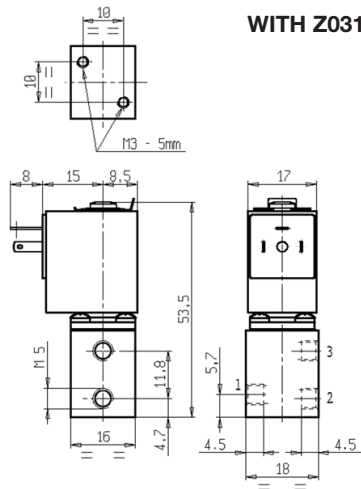
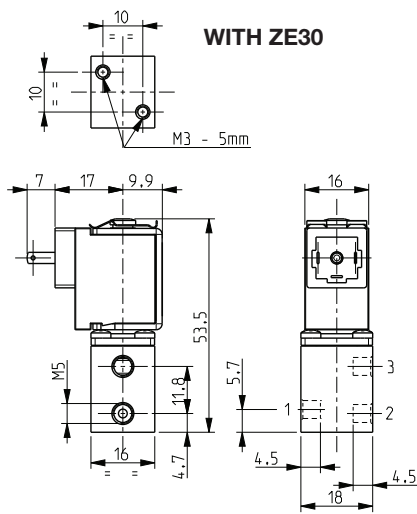


ASCO™ MICRO SOLENOID VALVE

3/2 NC - NO - UNIVERSAL SERVICE – DIRECT ACTING - M5

SERIES
V365



General Features

Direct acting micro solenoid valve. Minimum overall dimensions, quick response time and high number of cycles. Suitable to shut off liquid and gaseous fluids (verify the compatibility of fluid with materials in contact).

Technical Features	
Maximum allowable pressure (PS)	16 bar
Opening time	from ~ 5ms to ~ 10ms
Closing time	from ~ 5ms to ~ 10ms
Fluid temperature	-10°C +90°C (NBR) 0°C +90°C (FPM)
Max viscosity	3°E (22 cStokes or mm ² /s)

Materials in Contact with Fluid	
Body	Brass
Sealing	NBR or FPM
Internal components	Brass, PEI (Polyetherimide) and stainless steel
Seat	1↔2: Brass - 1↔3: PEI
Core tube	Brass
Shading ring	Copper (V365B08C – V365B08A)

Coil		
Continuous duty	ED 100%	
Encapsulation material	PA (Polyamide) fiberglass reinforced	
Insulation class	F (155°C)	
Ambient temperature	-10°C +60°C	
Electric connection	DIN 46340 – micro plug connector	
Protection degree	IP 65 (EN 60529) with micro plug connector	
Voltages	DC	ZE30: 12-24V (+10% -5%)
	AC	Z031: 24V/50Hz (+10% -15%)
		(Other voltages and frequencies on request; the windings in AC are designed for max voltage 24V only)

Port size ISO UNI 4534	Orifice size (mm)	Differential pressure (bar)				Kv (m ³ /h)	Series and type		Power absorption			Sealings	Notes	Weight (kg)			
		Δp min	Δp max		Valve		Coil	AC (VA)		DC (W)							
			Gases	Liquids				Inrush	Holding								
M5	1,2	0	-	6	-	6	V365B05C	ZE30C	-	-	2,5	NBR	NC	0,090			
				8	-	8					4						
			8	-	8	-			-	-	-						
			-	6	-	6			V365B01A	ZE30C	-				-	2,5	
			-	8	-	8										4	
			-	8	-	8			-	-	-				-	-	
	2	0	0	-	6	-	6	V365B08A	Z031A	6	5	-	FPM	US-1	0,090		
					6	-	6					4					
				6	-	6	-			-	-	-					
				-	2,5	-	2,5			V365B01C	ZE30A	-				-	4
				-	1,5	-	1,5										4
				-	1,5	-	1,5			V365B01G	ZE30A	-				-	-
-	1,5	-	1,5	V365V01G	ZE30A	-	-	-	FPM	US-1							

Notes

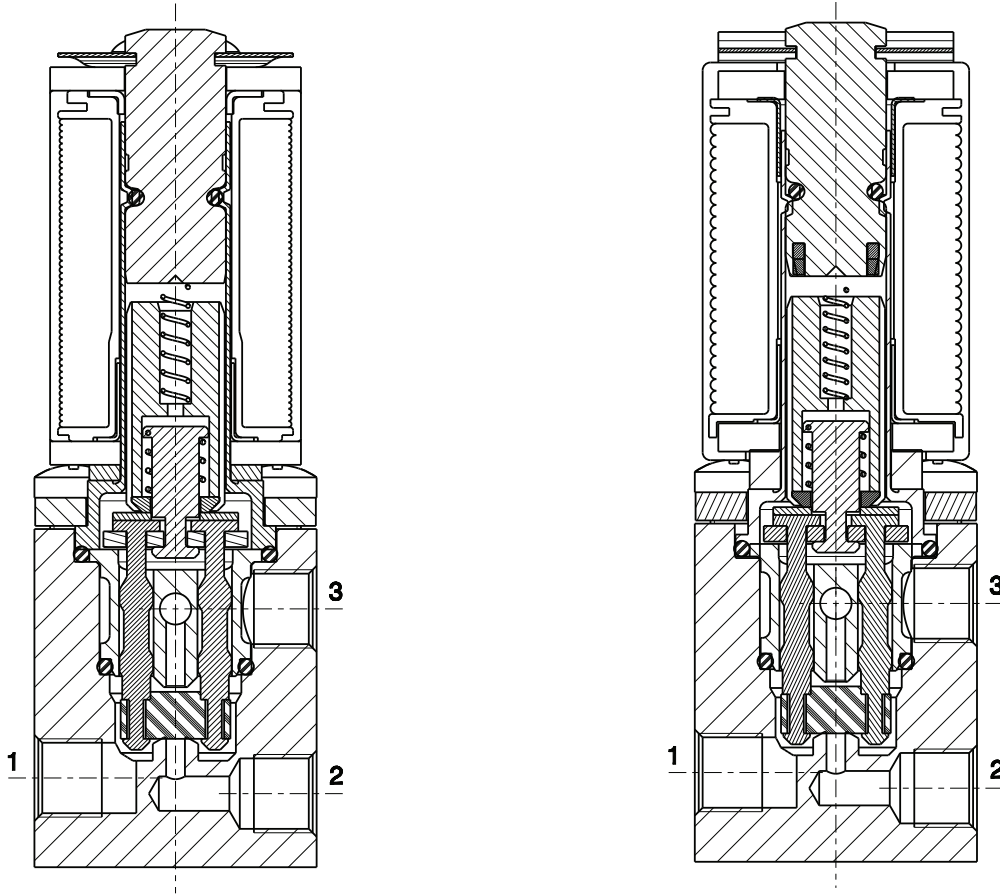
- These micro-solenoid valves are not suitable for stagnating media subject to vaporization which deposit solid, calcareous, incrusting residues or similar.
- Sealings: NBR = Nitrile-butylene elastomer FPM = Fluoro-carbon elastomer.
- 1 - Model available only on request; ask for minimum quantity.

**SERIES
V365**

ASCO™ MICRO SOLENOID VALVE
3/2 NC - NO - UNIVERSAL SERVICE – DIRECT ACTING - M5

Spare Parts

V365B08A – B08C



Installation

- Solenoid valve can be mounted in any position; vertical with coil upwards preferred.

THE VALIDITY OF REPORTED DATA IS REFERRED TO THE DATE OF ISSUE. POSSIBLE UPDATES ARE AVAILABLE ON REQUEST